

# **1982 CX500TC Parts Manual**

## Table of Contents

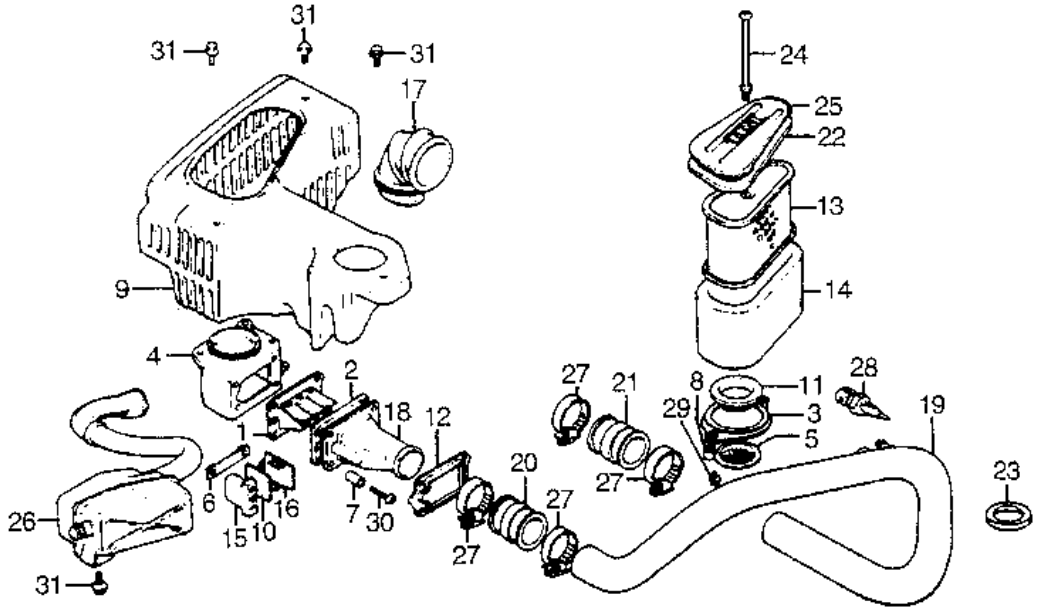
Air Cleaner.....	4
Air Valve & Reed Valve.....	5
Alternator & Starter Clutch.....	6
Battery & Side Covers.....	7
Block, Cylinder.....	9
Brake Caliper, Front.....	11
Brake Caliper, Rear.....	13
Brake Master Cylinder, Front.....	14
Brake Master Cylinder, Rear.....	15
Camshaft & Lower Rocker Arms.....	16
Camshaft Chain & Tensioner.....	17
Clutch.....	18
Clutch Cover & Oil Filter.....	19
Control Levers & Switches & Cables.....	20
Coolant Reserve Tank and Breather Separator.....	21
Crankshaft & Pistons.....	22
Cylinder Head, Left.....	23
Cylinder Head, Right.....	24
Cylinder Head Covers.....	25
Decals.....	26
Electrical Plate & Modules.....	27
Engine Cover, Front (Transmission Cover).....	28
Engine Cover, Rear.....	29
Exhaust System.....	30
Fairing.....	32
Fairing Stay.....	33
Fender, Front.....	34
Fender, Rear.....	35
Final Shaft.....	37
Footpegs.....	38
Forks.....	40
Frame.....	42
Fuel Pump & Tool Box.....	43
Fuel Tank & Petcock.....	44
Gasket Kit A.....	45
Gasket Kit B.....	46
Handlebar & Top Bridge & Lockset.....	47
Instruments.....	49
Light, Front Combination.....	51
Oil Pan.....	52
Oil Pump & Primary Drive Gear.....	53
Pedal, Brake & Shift Pedal.....	54
Radiator & Cooling Fan.....	55

Rear End.....	56
Seat & Rear Cowl .....	58
Shift Drum & Shift Fork.....	59
Shock Absorber & Rear Suspension.....	60
Stand, Center & Side Stand .....	62
Starter Motor.....	63
Steering Stem & Horns .....	64
Stripes .....	65
Swingarm .....	66
Tail Light .....	67
Thermostat & Cooling Pipes & Hoses.....	68
Throttle Body & Intake Manifold.....	69
Tools .....	71
Transmission.....	72
Turbo Pump .....	74
Turn Signals.....	76
Valves & Upper Rocker Arms.....	77
Water Pump & Ignition Pulse Generator.....	78
Wheel, Front & Brake Discs.....	79
Wheel, Rear.....	80
Windscreen .....	81
Wire Harness & Ignition Coils .....	83

*www.ClassicCycles.org*

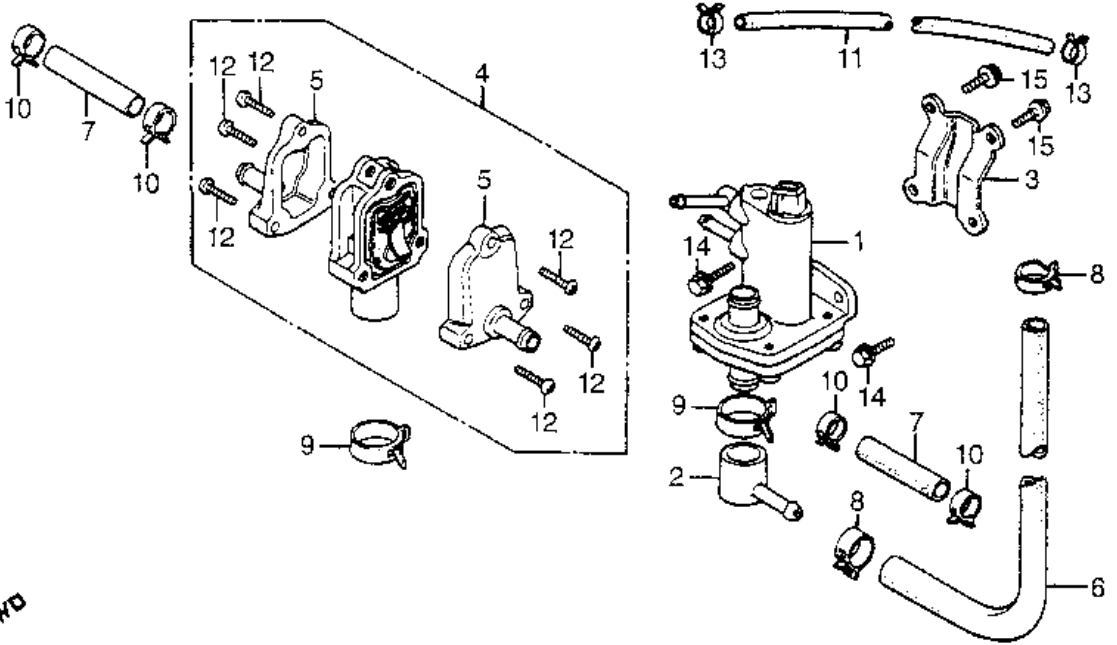


# Air Cleaner



REF#	PART		#REQ
01	VALVE ASSY., REED	14200-MC7-000	001
02	GASKET, REED VALVE	14203-MC7-000	001
03	RING, REED VALVE	17202-MC7-000	001
04	CHAMBER, REED VALVE	17203-MC7-000	001
05	NET, AIR CLEANER	17204-MC7-000	001
06	PATCH, REED VALVE	17205-MC7-000	001
07	COLLAR	17207-MC7-000	004
08	COLLAR B	17208-MC7-000	002
09	HOUSING, AIR CLEANER	17210-MC7-000	001
10	GASKET, MUFFLER	17211-MC7-000	001
11	GASKET, A/CLNR ELEM	17212-MC7-000	001
12	HOLDER, REED VALVE	17213-MC7-000	001
13	TRAP, FLAME	17216-MC7-000	001
14	ELEMENT, AIR CLEANER	17217-MC7-000	001
15	CHAMBER, MUFFLER	17218-MC7-000	001
16	CAP, MUFFLER	17219-MC7-000	001
17	DUCT, AIR CLEANER	17221-MC7-000	001
18	JOINT, A/CLNR HSG	17222-MC7-000	001
19	TUBE	17223-MC7-000	001
20	JOINT	17224-MC7-000	001
21	JOINT B	17225-MC7-000	001
22	GASKET, A/CLNR HSG	17226-MC7-000	001
23	RING	17227-MC7-000	001
24	BOLT, A/CLNR ELEM	17228-MC7-000	001
25	COVER, AIR CLEANER	17229-MC7-000	001
26	CHAMBER, RESONANCE	17230-MC7-000	001
27	BAND	17256-MC7-000	004
28	SENSOR, AIR TEMP	36152-MC7-003	001
29	SCREW-WASHER (4X16)	93893-04016-08	002
30	SCREW-WASHER (4X25)	93893-04025-08	004
31	BOLT, FLANGE (6X10)	95701-06010-00	
	(replaces 95700-06010-00)		004

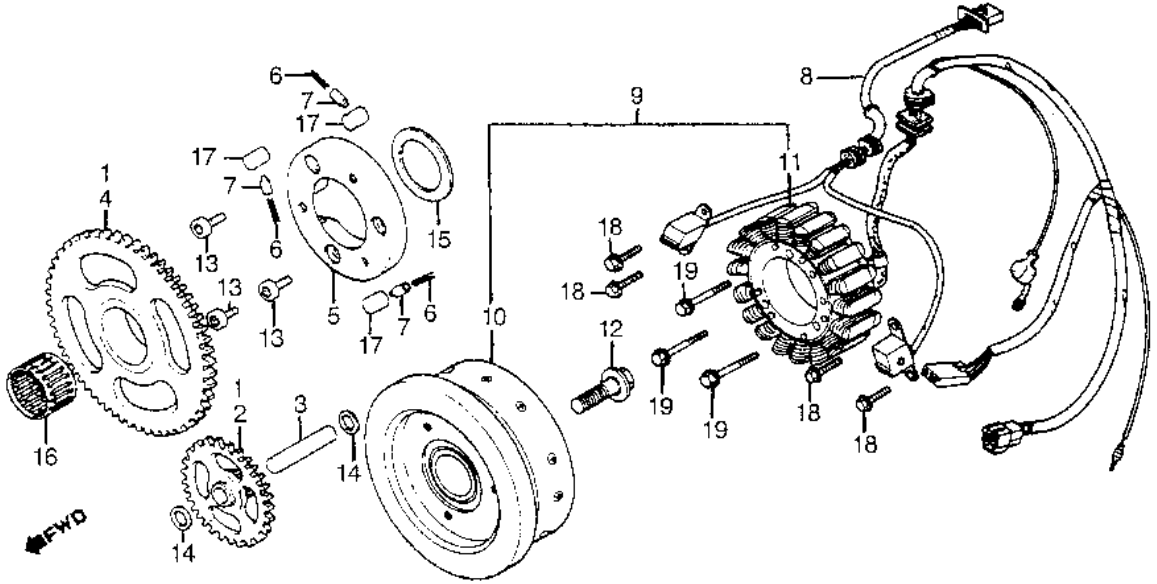
## Air Valve & Reed Valve



← FWD

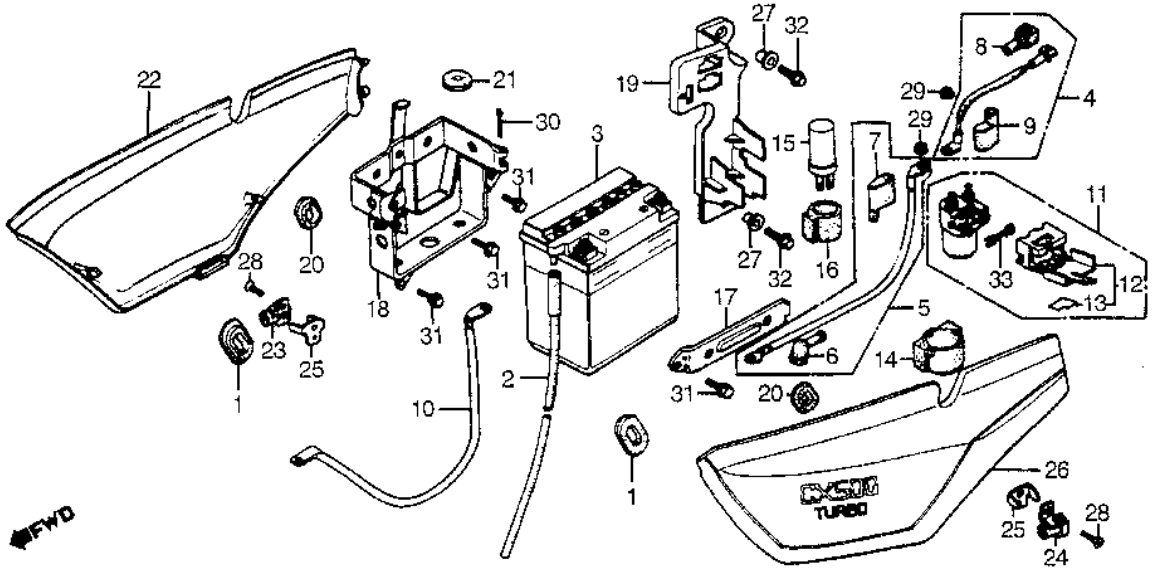
REF#	PART		#REQ
01	VALVE, AIR	17810-MC7-003	001
02	JOINT, L. AIR VALVE	17812-MC7-000	001
03	STAY, AIR VALVE	17819-MC7-000	001
04	VALVE ASSY., REED	17820-MG9-952	
	(replaces 17820-MC7-003)		001
05	COVER, REED VALVE	17822-MC7-003	002
06	HOSE (10X280)	17831-MC7-000	001
07	HOSE (7.5X46)	17832-MC7-000	002
08	CLAMP	17834-MC7-000	002
09	CLAMP	17835-MC7-000	002
10	CLAMP	17836-MC7-000	004
11	TUBE (5X140)	19522-MC7-000	001
12	SCREW, PAN (4X14)	93500-04014-0A	006
13	CLIP, TUBE (D10.5)	95002-41050-08	002
14	BOLT, FLANGE (6X10)	96001-06010-00	
	(replaces 96000-06010-00)		002
15	BOLT, FLANGE (6X14)	96001-06014-00	
	(replaces 96000-06014-00)		002

## Alternator & Starter Clutch



REF#	PART		#REQ
01	GEAR SET, STARTER	28100-415-305	001
02	GEAR	28102-415-010	001
03	SHAFT	28106-415-000	001
04	GEAR	28110-MF5-000	
		(replaces 28110-415-010)	001
05	CLUTCH, STARTER	28120-415-000	001
06	SPRING	28125-516-030	003
07	CAP	28126-516-020	003
08	GENERATOR, PULSE	30300-MC7-005	001
09	ALTERNATOR ASSY.	31100-MC7-015	
		(replaces 31100-MC7-005)	001
10	ROTOR	31110-MC7-015	
		(replaces 31110-MC7-005)	001
11	STATOR	31120-MC7-005	001
12	BOLT (12X30)	90002-415-003	001
13	BOLT, SOCKET 8MM	90010-KCJ-690	
		(replaces 90010-415-000)	003
13	BOLT, SOCKET 8MM	90010-KCJ-690	003
14	WASHER (12MM)	90451-708-000	002
15	WASHER (37MM)	90454-415-000	001
16	BEARING (32MM)	91021-415-005	001
17	ROLLER (15X13)	91101-516-000	003
18	BOLT, FLANGE (6X20)	95701-06020-00	
		(replaces 95700-06020-00)	004
19	BOLT, FLANGE (6X40)	95701-06040-00	
		(replaces 95700-06040-00)	003

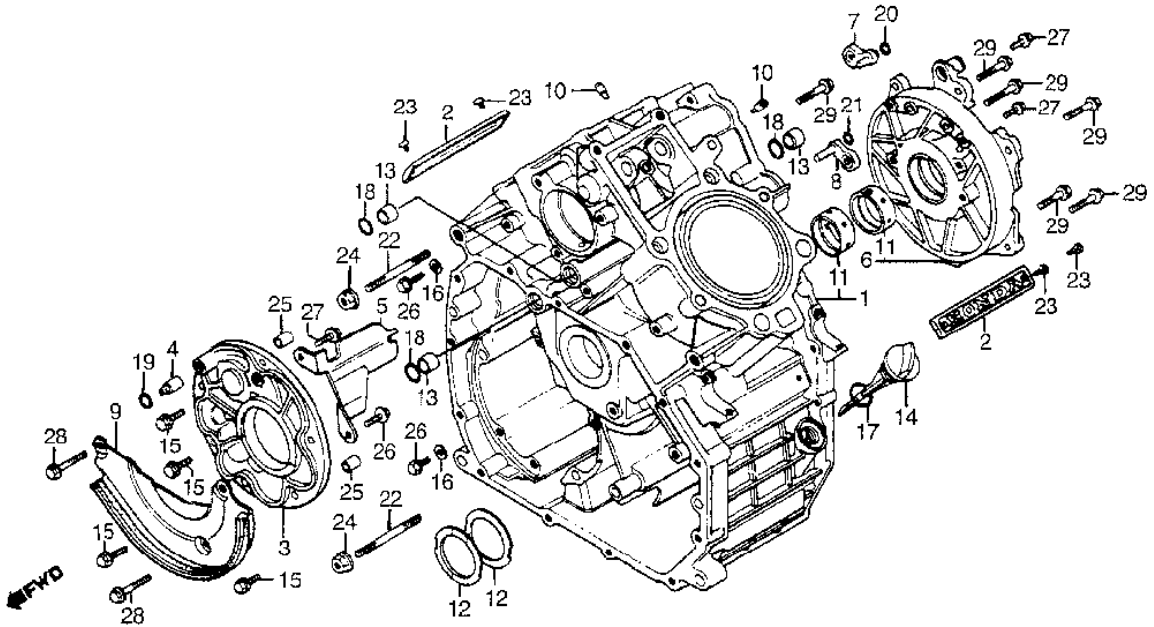
## Battery & Side Covers



REF#	PART		#REQ
01	GROMMET A	17247-303-000	002
02	BATTERY ASSY.	31500-425-672	
		(replaces 31500-415-601)	
		(replaces 31500-415-671)	
		(replaces 31500-425-671)	
		(replaces 31500-425-677)	
		(replaces 31500-461-770)	
		(replaces 31500-461-771)	
		(replaces 31500-461-772)	001
03	TUBE	31502-MA1-000	001
03	TUBE BAT, BREATHER	31502-MB1-405	
		(replaces 31502-MC7-000)	001
04	CABLE	32401-MA1-730	001
05	CABLE, STARTER MOTOR	32410-KK6-000	
		(replaces 32410-MA1-000)	001
06	COVER	32411-230-000	
		(replaces 32411-253-000)	001
07	COVER	32412-426-000	001
08	COVER, TERMINAL	32414-MA1-730	001
09	COVER B	32416-460-000	001
10	CABLE	32601-MC7-000	001
11	SWITCH ASSY.	35850-MB0-007	
		(replaces 35850-425-017)	001
12	COVER, FUSE	35852-425-017	001
13	LABEL, FUSE COVER	35853-425-300	001
14	RUB, MAGNETIC SHOCK	35856-425-000	001
15	RELAY ASSY., WINKE	38300-415-P00	
		(replaces 38300-415-004)	
		(replaces 38300-415-671)	
		(replaces 38301-415-004)	001
16	SUSPENSION	38306-292-000	001
17	BAND B	50330-MC7-000	001
18	BOX, BATTERY	50332-MC7-000	001
19	PLATE, ELECTRIC	50340-MC7-000	001
20	GROMMET, A/CLNR HSG	83551-300-000	002
21	RUBBER, BATTERY BOX	83618-323-000	006
22	CVR, R. *NH113PA*	83620-MC7-000ZA	001
23	LOCK, R. SIDE COVER	83705-MC7-010	

		(replaces 83705-MC7-000)	001
24	LOCK, L. SIDE COVER	83706-MC7-010	
		(replaces 83706-MC7-000)	001
25	GUIDE	83707-MC7-000	002
26	CVR, L. *NH113PA*	83720-MC7-000ZA	001
27	COLLAR, FR.	61107-KB5-000	002
27	COLLAR, FR.	61107-KB5-000	
		(replaces 90121-102-000)	002
28	SCREW, FLAT (6X15)	93600-06015-0A	002
29	NUT, FLANGE (6MM)	94050-06080	002
30	PIN, COTTER (3.0x45)	94201-30450	
		(replaces 94201-30400)	001
31	BOLT, FLANGE (6X10)	95701-06010-00	
		(replaces 95700-06010-00)	004
32	BOLT, FLANGE (6X14)	95701-06014-00	
		(replaces 95700-06014-00)	002
33	FUSE F (30A)	98200-53000	002

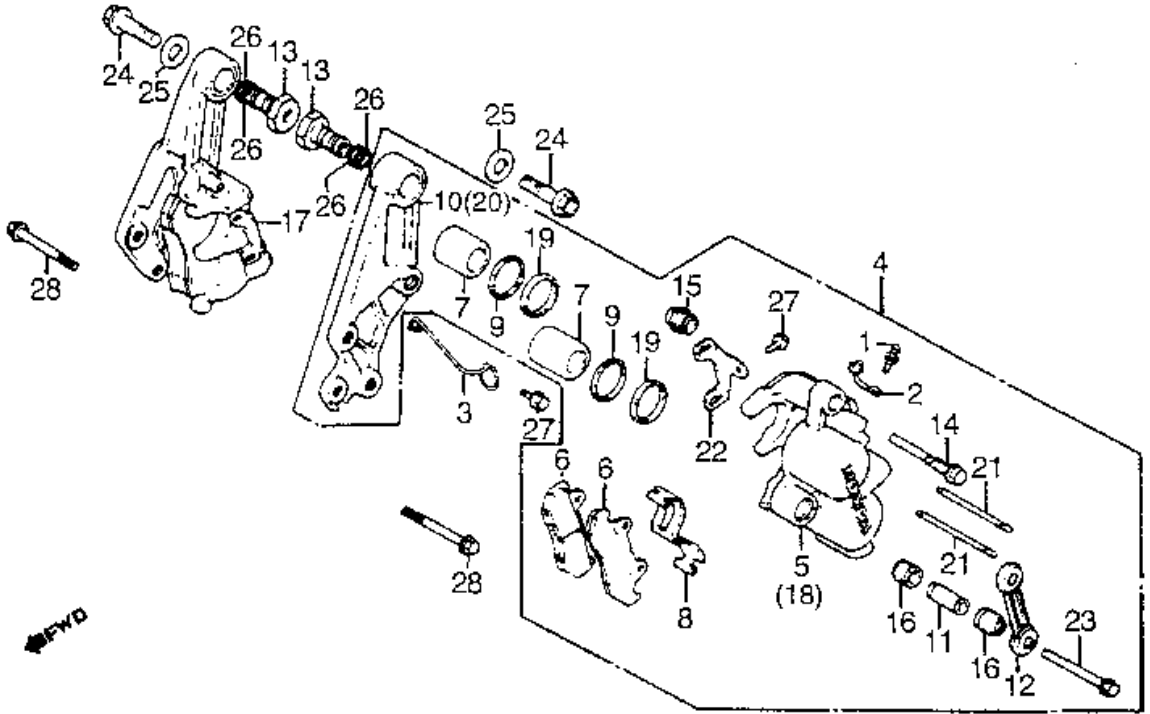
## Block, Cylinder



REF#	PART		#REQ
01	CRANKCASE, R.	11100-MC7-000	001
02	EMBLEM	11105-MC7-000	002
03	HOLDER, TRANSMISSION	11131-MC7-000	001
04	ORIFICE (8MM)	11132-MC7-000	001
05	PLATE, TRANS HOLDER	11133-MC7-000	001
06	CAP, CRANKSHAFT	11140-MC7-000	001
07	JET, R. OIL	11146-MC7-000	001
08	JET, L. OIL	11147-MC7-000	001
09	SEPARATOR, OIL	11365-MC7-000	001
10	VALVE	12901-413-000	002
11	BEARING A, MAIN	13323-MC7-305	002
11	BEARING B, MAIN	13324-MC7-305	002
11	BEARING C, MAIN	13325-MC7-305	002
12	WASHER, CRANK SIDE	13326-MC7-003	002
13	COLLAR, O-RING	15155-300-000	003
14	DIPSTICK, OIL	15650-MK7-670	
	(replaces	15650-449-000)	001
15	BOLT, FLANGE (6X20)	90003-MB2-000	
	(replaces	90003-MC7-000)	004
16	WASHER (12MM)	90461-357-000	002
17	O-RING (22X3.0)	91307-425-003	
	(replaces	91301-250-000)	001
18	O-RING (13.6X2.4)	91301-268-020	003
19	O-RING (8X1.7)	91306-HB3-003	
	(replaces	91303-001-000)	001
20	O-RING (8.2X1.5)	91308-MC7-000	001
21	O-RING (4.1X1.5)	91308-371-003	001
22	BOLT, STUD (10X60)	92700-10060-0B	002
22	BOLT, STUD (10X40)	92900-10040-0B	002
23	SCREW, TAPPING (4X8)	93902-34110	004
24	NUT, FLANGE (10MM)	94050-10080	002
25	PIN, DOWEL (8X14)	94301-08140	002
26	BOLT, FLANGE (6X12)	95701-06012-00	
	(replaces	95700-06012-00)	003

27	BOLT, FLANGE (6X16)	95701-06016-00	
	(replaces	95700-06016-00)	003
28	BOLT, FLANGE (6X32)	95701-06032-00	
	(replaces	95700-06032-00)	002
29	BOLT, FLANGE (8X25)	95701-08025-00	
	(replaces	95700-08025-00)	007

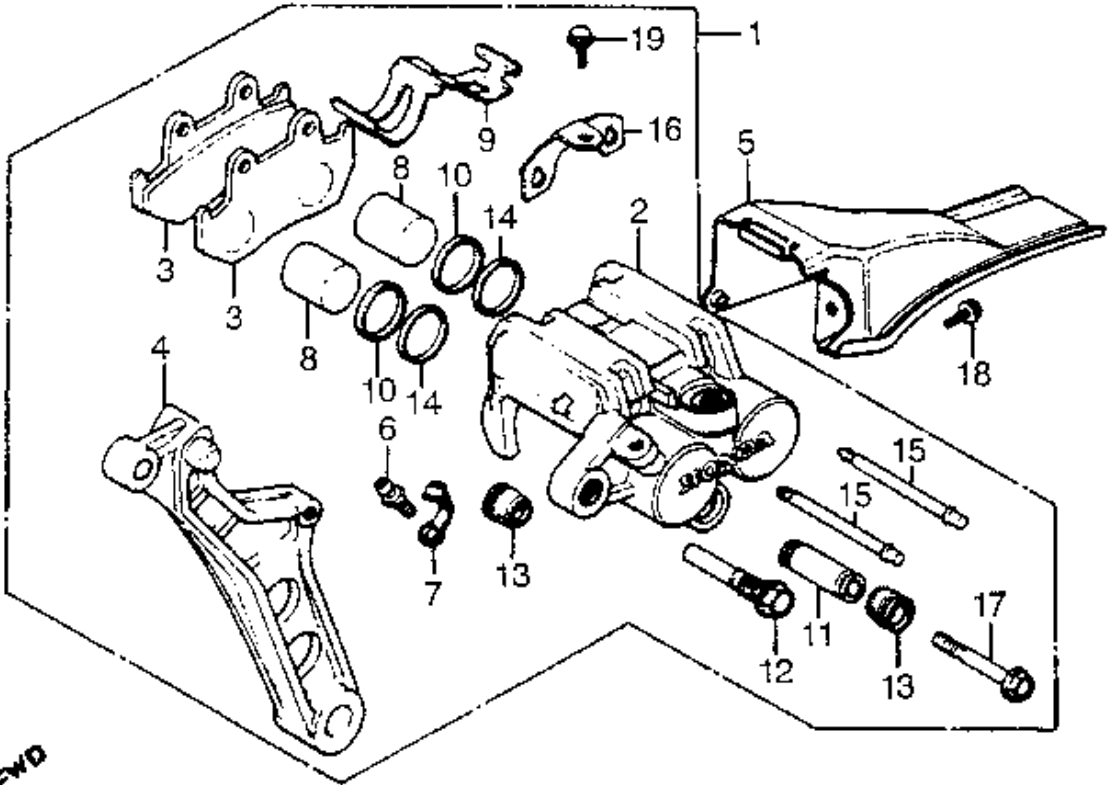
## Brake Caliper, Front



REF#	PART		#REQ
01	SCREW, BLEEDER	43352-568-003	002
02	CAP, BLEEDER	43353-461-771	002
03	CLAMP	44833-MC7-000	001
04	CALIPER, L. FR.	45100-MC7-016	
		(replaces 45100-MC7-006)	
		(replaces 45100-MC7-007)	001
05	CALIPER, L.	45101-MA3-006	001
06	PAD	45105-KL8-014	
		(replaces 45105-KL8-004)	
		(replaces 45105-MC7-004)	
		(replaces 45105-MC7-014)	004
07	PISTON	45107-MA3-006	004
08	SPRING, PAD	45108-MA3-006	002
09	DUST SEAL	45109-166-006	004
10	BRACKET, L. FR.	45110-MC7-006	001
11	SLEEVE	45111-MA3-006	002
12	BRIDGE	45113-MC7-610	002
13	SLEEVE, FR.	45114-MC7-611	002
14	PIN, BOLT	45131-MA3-006	002
15	BOOT B	45133-MA3-006	002
16	BOOT, PIN	45133-166-016	004
17	CALIPER, R. FR.	45200-MC7-016	
		(replaces 45200-MC7-006)	
		(replaces 45200-MC7-007)	001
18	CALIPER, R.	45201-MA3-006	001
19	SEAL, PISTON	45209-166-006	004
20	BRACKET, R. FR.	45210-MC7-006	001
21	PIN, HANGER	45215-MA3-006	004
22	PLATE	45217-MA3-006	002
23	BOLT, FLANGE (8X49)	90180-MA3-006	002
24	BOLT, FLANGE (10X50)	90185-MC7-013	
		(replaces 90185-MC7-003)	

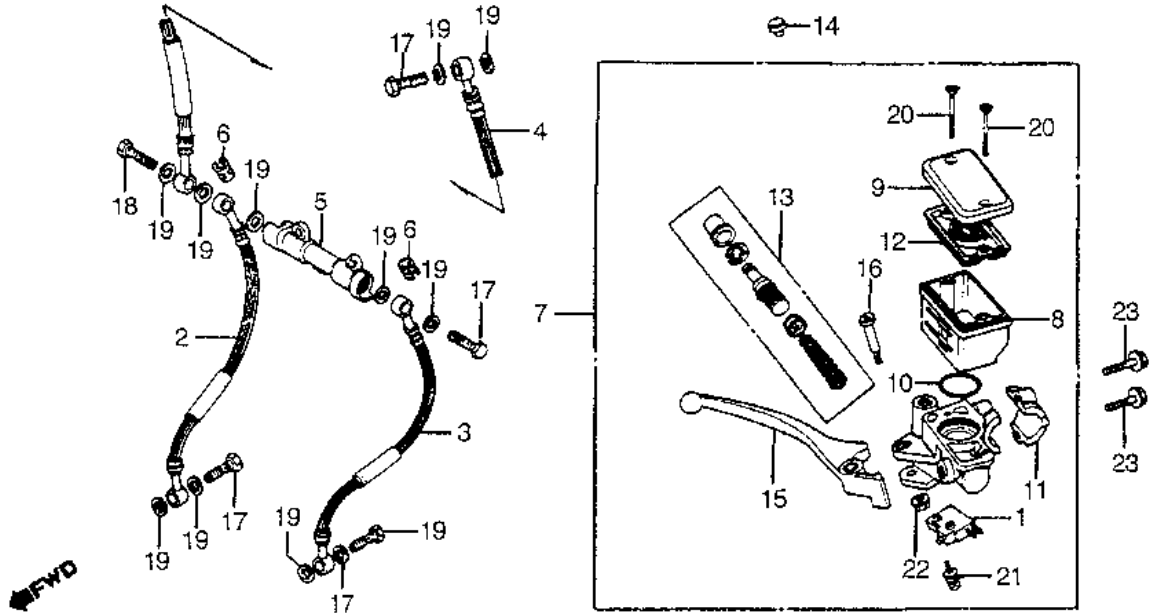
		(replaces 90185-MC7-010)	002
25	WASHER (10.3X25)	90501-MC7-000	002
26	O-RING (16.8X1.9)	91347-PY3-000	
		(replaces 91302-MC7-611)	004
27	BOLT, FLANGE (6X10)	95701-06010-00	
		(replaces 95700-06010-00)	003
28	BOLT, FLANGE (8X55)	95801-08055-07	
		(replaces 95800-08055-07)	004
NI	BRAKE PAD KIT	451A0-MC7-67	002

## Brake Caliper, Rear



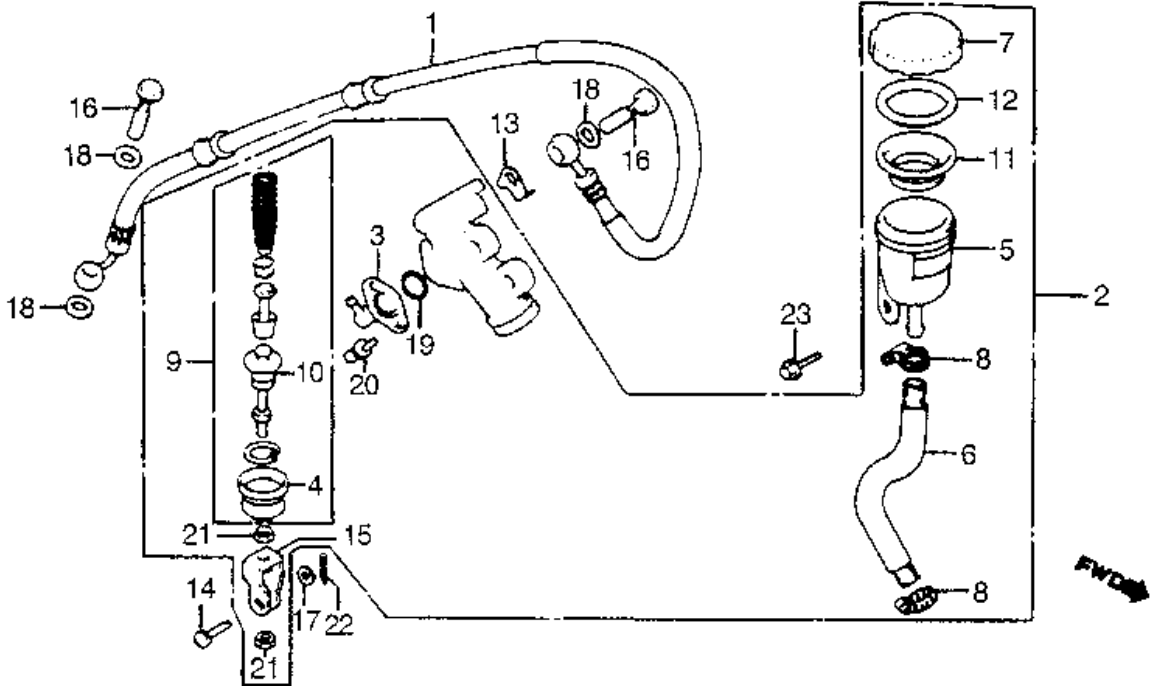
REF#	PART		#REQ
01	CALIPER ASSY., RR.	43100-MC7-016	
		(replaces 43100-MC7-006)	001
02	CALIPER, RR.	43101-MB9-006	001
03	PAD, RR.	43105-MJ6-014	
		(replaces 43105-MC7-004)	
		(replaces 43105-MC7-007)	
		(replaces 43105-MC7-014)	
		(replaces 43105-MJ6-004)	002
04	BRACKET, RR. BRAKE	43110-MC7-006	001
05	COVER, RR. DISK	43140-MB9-000	001
06	SCREW, BLEEDER	43352-568-003	001
07	CAP, BLEEDER	43353-461-771	001
08	PISTON	45107-MA3-006	002
09	SPRING, PAD	45108-MA3-006	001
10	DUST SEAL	45109-166-006	002
11	SLEEVE	45111-MA3-006	001
12	PIN, BOLT	45131-MA3-006	001
13	BOOT, PIN	45133-166-016	002
14	SEAL, PISTON	45209-166-006	002
15	PIN, HANGER	45215-MA3-006	002
16	PLATE	45217-MA3-006	001
17	BOLT, FLANGE (8X49)	90180-MA3-006	001
18	SCREW-WASHER (5X10)	93892-05010-07	001
19	BOLT, FLANGE (6X10)	95701-06010-00	
		(replaces 95700-06010-00)	001
NI	BRAKE PAD KIT	431A0-MC7-024	001

## Brake Master Cylinder, Front



REF#	PART		#REQ
01	SWITCH, FR. STOP	35340-MA5-671	001
02	HOSE A, R. FR. BRAKE	45124-MC7-013	
	(replaces 45124-MC7-003)		001
03	HOSE A, L. FR. BRAKE	45125-MC7-013	
	(replaces 45125-MC7-003)		001
04	HOSE, FR. BRAKE	45126-MC7-013	
	(replaces 45126-MC7-003)		001
05	JOINT, TWO-WAY	45127-MA1-003	001
06	SPACER	45154-MC7-000	002
07	*45510-445-406	45500-445-632	001
08	CUP, OIL	45511-MA5-671	001
09	CAP, OIL CUP	45513-MA5-671	001
10	O-RING (26.7X2.4)	45516-166-006	001
11	HOLDER	45517-MA5-671	001
12	DIAPHRAGM	45520-MA5-672	
	(replaces 45520-MA5-671)		001
13	MASTER CYLINDER SET	45530-MA5-671	001
14	PLUG	53174-116-670	
	(replaces 53174-463-770)		001
15	LEVER, R. HANDLEBAR	53175-MA5-671	001
16	BOLT, R.	90114-MA5-671	001
17	BOLT, OIL	90145-300-010	
	(replaces 90145-300-000)		004
18	BOLT, OIL	90145-422-020	
	(replaces 90145-422-010)		001
19	WASHER, OIL BOLT	90545-300-000	010
20	SCREW, FLAT (4X45)	93600-04045-1G	002
21	SCREW-WASHER (4X12)	93893-04012-08	
	(replaces 93893-04012-18)		001
22	NUT, FLANGE (6MM)	94050-06000	001
23	BOLT, FLANGE (6X25)	95701-06025-07	
	(replaces 95700-06025-07)		002

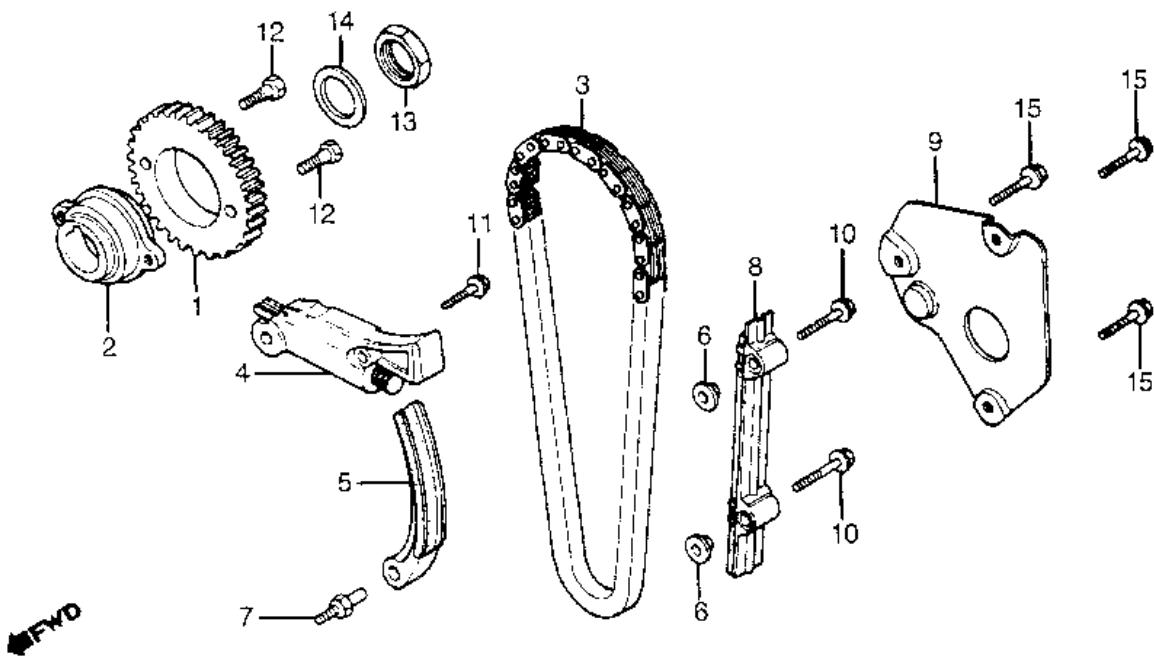
## Brake Master Cylinder, Rear



REF#	PART		#REQ
01	HOSE, RR. BRAKE	43310-ME7-013	
02	MASTER CYLINDER, RR.	43500-MC7-016	001
		(replaces 43500-MC7-006)	001
03	CONNECTOR	43503-422-006	001
04	BOOT	43504-371-013	001
05	CUP	43511-443-761	001
06	HOSE	43512-MC7-612	
		(replaces 43512-MC7-611)	001
07	CAP, OIL CUP	43513-MJ6-006	
		(replaces 43513-461-771)	001
08	CLAMP	43514-445-771	002
09	MASTER CYLINDER SET	43520-461-771	001
10	ROD, PUSH	43530-MC7-006	001
11	DIAPHRAGM	45520-300-000	001
12	PLATE, DIAPHRAGM	45521-MJ6-006	
		(replaces 45521-300-010)	001
13	STOPPER, OIL BOLT	45535-MC7-000	001
14	PIN, BRAKE ROD	46503-371-000	001
15	JOINT, BRAKE ROD	46504-445-771	001
16	BOLT, OIL	90145-300-010	
		(replaces 90145-300-000)	002
17	WASHER (7X12)	90501-310-000	001
18	WASHER, OIL BOLT	90545-300-000	003
19	O-RING (14.8X2.4)	91212-422-006	001
20	SCREW-WASHER (4X12)	93893-04012-08	
		(replaces 93893-04012-18)	002
21	NUT, HEX. (8MM)	94002-08000-0S	001
22	PIN, COTTER (1.6X25)	94201-16250	
		(replaces 94201-16150)	001
23	BOLT, FLANGE (6X12)	95701-06012-00	
		(replaces 95700-06012-00)	001

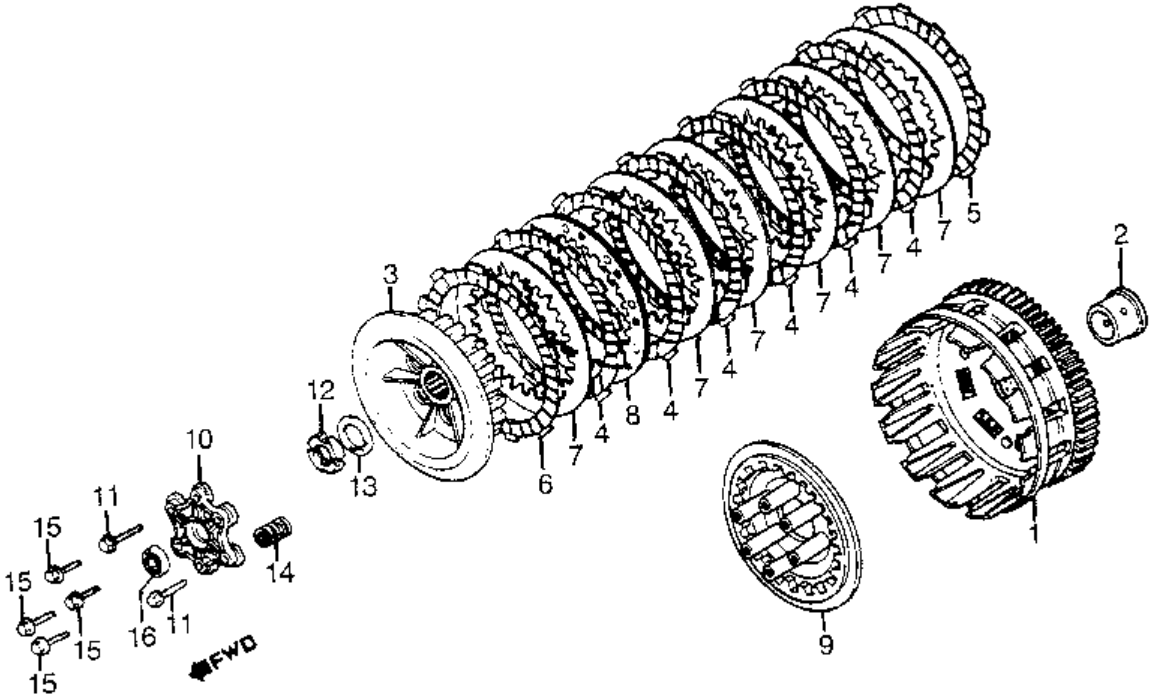


## Camshaft Chain & Tensioner



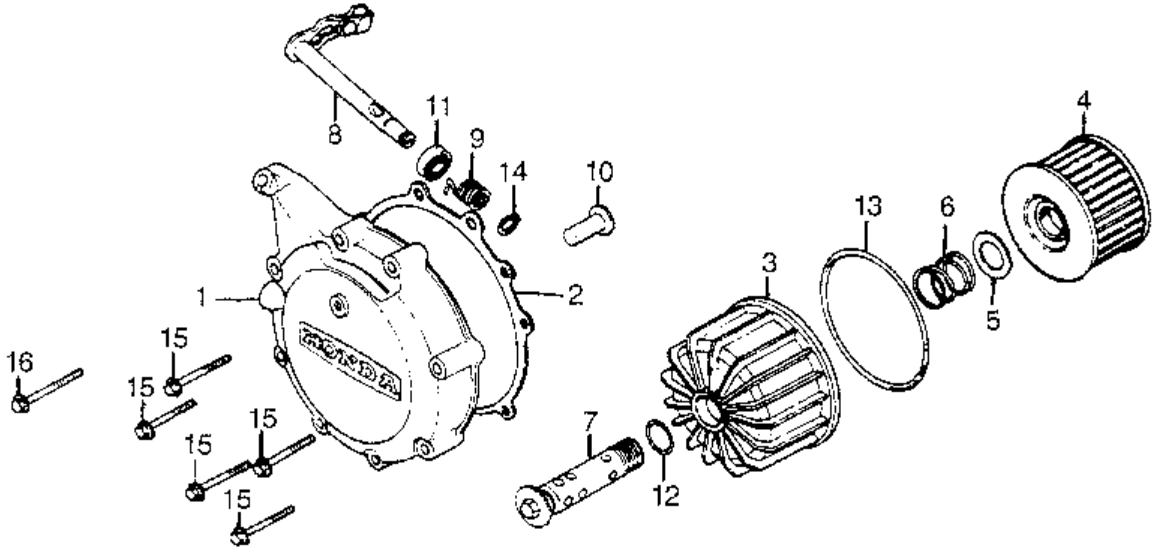
REF#	PART		#REQ
01	SPROCKET, CAM	14321-415-000	001
02	BOSS, CAM SPROCKET	14322-415-000	001
03	CHAIN, CAM	14401-MA1-013	001
04	TENSIONER, CAM CHAIN	14500-MC7-010	001
05	TENSIONER, CAM CHAIN	14511-MC7-000	001
06	COLLAR (6X14.7)	14515-428-000	002
07	PIN	14538-MC7-000	001
08	GUIDE, CAM CHAIN	14620-MC7-000	001
09	PLATE	14623-MC7-000	001
10	BOLT, HEX. (6X30)	90011-415-000	002
11	BOLT, FLANGE (8X32)	90015-MC7-000	001
12	BOLT (7X17)	90081-415-000	002
13	NUT, LOCK (20MM)	90241-MJ8-000	
	(replaces	90207-415-000)	001
14	WASHER, LOCK	90432-121-000	001
15	BOLT, FLANGE (6X16)	95701-06016-00	
	(replaces	95700-06016-00)	003

# Clutch



REF#	PART		#REQ
01	CLUTCH (OUTER)	22100-MC7-010	001
02	GUIDE, CLUTCH	22116-MC7-000	001
03	CENTER, CLUTCH	22120-MC7-000	001
04	DISK, CL FRICTION	22201-MC7-000	006
05	DISK A, CL FRICTION	22201-MG9-000	
	(replaces	22201-463-000)	001
06	DISK B, CL FRICTION	22202-463-000	001
07	PLATE A, CLUTCH	22321-371-010	
	(replaces	22321-463-000)	
	(replaces	22321-MG9-000)	006
08	PLATE B, CLUTCH	22322-463-000	001
09	PLATE, CLU PRESS	22350-MC7-000	001
10	PLATE, CLUTCH LIFTER	22360-463-000	001
11	BOLT, FLANGE (6X32)	90008-422-000	002
12	NUT, LOCK (20MM)	90204-426-000	001
13	WASHER, LOCK	90432-121-000	001
14	SPRING, CLUTCH	95014-75140	006
15	BOLT, FLANGE (6X25)	95701-06025-08	004
15	BOLT, FLANGE (6X25)	95720-06025-08	004
16	BEARING (6203)	96100-62030-00	001

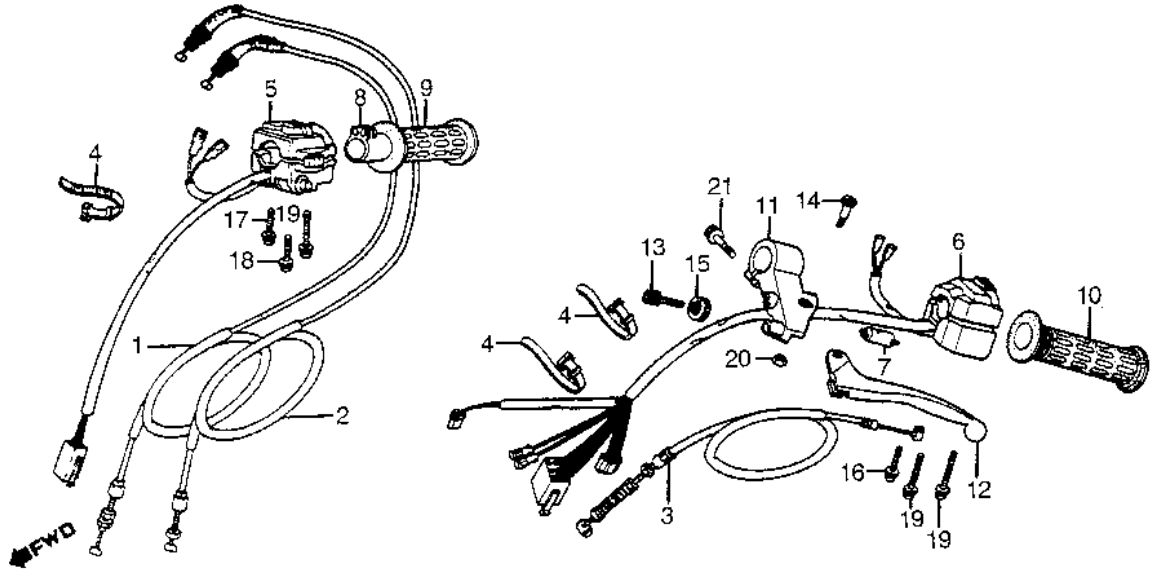
## Clutch Cover & Oil Filter



**← FWD**

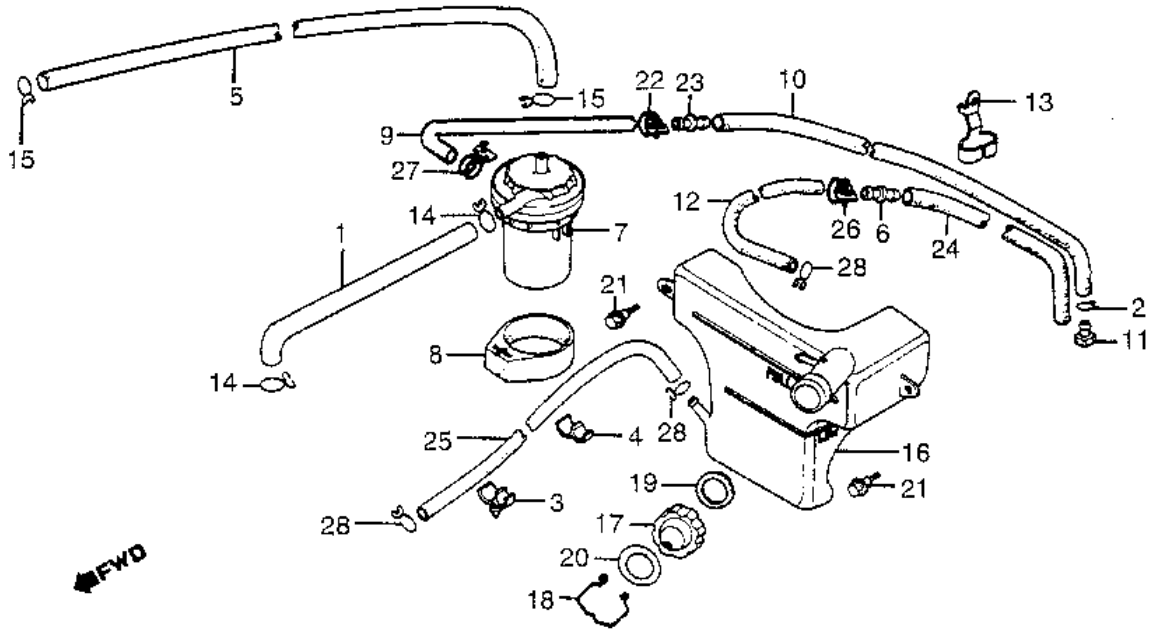
REF#	PART		#REQ
01	COVER, CLUTCH	11370-MC7-000	001
02	GASKET, CLUTCH COVER	11372-MC7-306	
	(replaces	11372-MC7-000)	001
03	CASE, OIL FILTER	15411-MC7-000	001
04	ELEMENT, OIL FILTER	154A1-413-005	
	(replaces	15412-413-005)	
	(replaces	154A1-MA6-000)	001
05	SEAT	15414-300-000	001
06	SPRING	15415-413-000	001
07	BOLT	15420-MA6-000	
	(replaces	15420-415-000)	001
08	SHAFT, CLUTCH LEVER	22811-MC7-000	001
09	SPRING, CLUTCH LEVER	22815-413-000	001
10	ROD, CLUTCH LIFTER	22847-MC7-000	001
11	OIL SEAL (12X18X4)	91201-706-003	001
12	O-RING (15X2.5)	91302-377-000	001
13	O-RING (81X4.5)	91315-MA6-003	
	(replaces	91311-415-000)	001
14	CIRCLIP (10MM)	94510-10000	001
15	BOLT, FLANGE (6X28)	96001-06028-00	
	(replaces	96000-06028-00)	005
16	BOLT, FLANGE (6X35)	96001-06035-00	
	(replaces	96000-06035-00)	001

## Control Levers & Switches & Cables



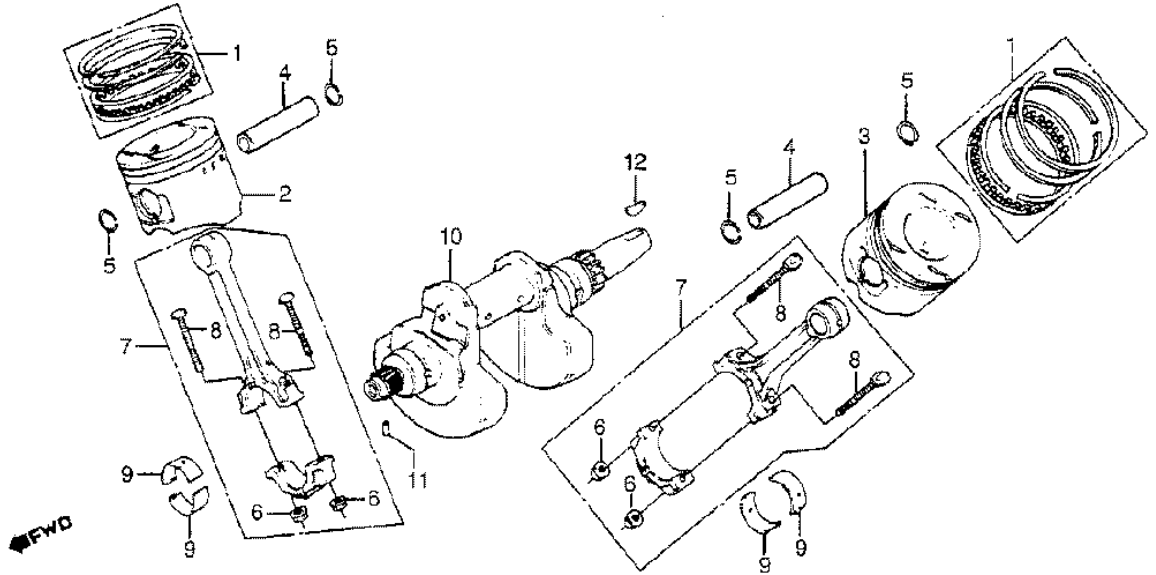
REF#	PART		#REQ
01	CABLE A, THROTTLE	17910-ME7-000	
		(replaces 17910-MC7-000)	001
02	CABLE B, THROTTLE	17920-ME7-000	
		(replaces 17920-MC7-000)	001
03	CABLE, CLUTCH	22870-MC7-000	001
04	BAND B1, CABLE	32161-404-000	003
05	SWITCH ASSY.	35130-MC7-671	001
06	SWITCH, TURN SIGNAL	35200-MC7-671	001
07	SWITCH, FR. LEVER	35330-413-003	001
08	PIPE, THROTTLE GRIP	53141-422-000	001
09	GRIP, R. HANDLE	53165-422-000	001
10	GRIP, L. HANDLE	53166-422-000	001
11	BRACKET, L.	53172-MC7-003	001
12	LEVER, L. HANDLE	53178-461-000	
		(replaces 53178-425-003)	001
13	BOLT, CABLE ADJ.	53192-268-000	001
14	BOLT, L.	90113-422-000	
		(replaces 90113-MC7-000)	001
15	NUT, FIXING	90321-315-670	
		(replaces 90321-968-000)	001
16	SCREW-WASHER (5X30)	93891-05030-07	001
17	SCREW-WASHER (5X32)	93891-05032-00	
		(replaces 93891-05032-07)	001
18	SCREW-WASHER (5X40)	93891-05040-07	001
19	SCREW-WASHER (5X45)	93891-05045-07	003
20	NUT, HEX. (6MM)	94002-06000-05	001
21	BOLT, FLANGE (6X25)	95701-06025-07	
		(replaces 95700-06025-07)	001

## Coolant Reserve Tank and Breather Separator



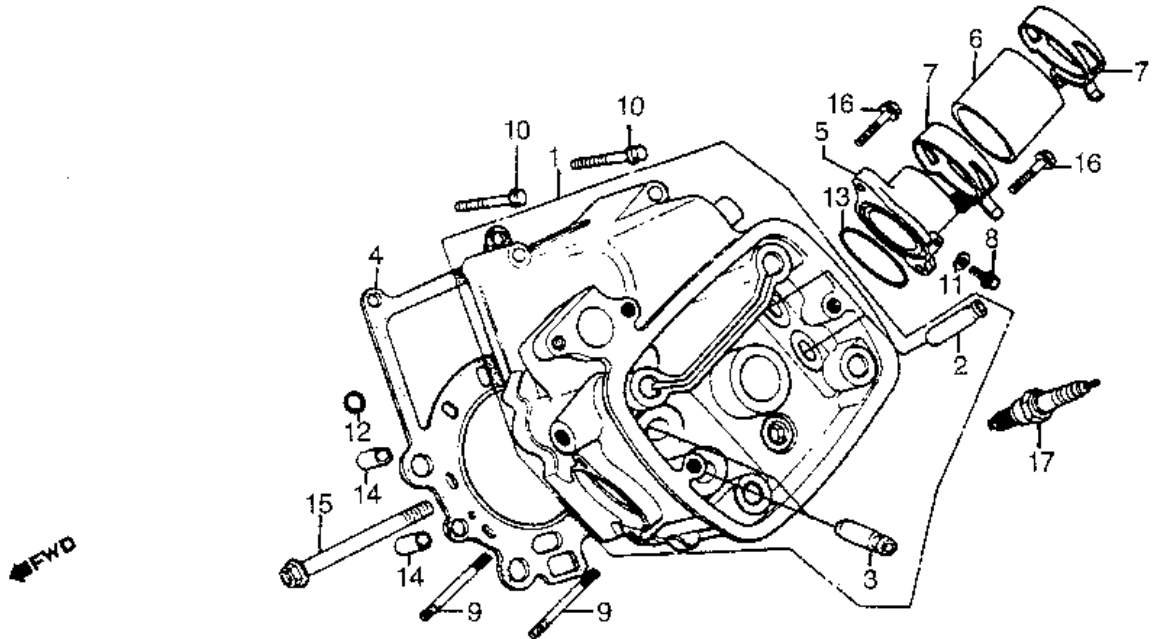
REF#	PART		#REQ
01	TUBE B, BREATHER	15761-MC7-000	001
02	CLIP, BREATHER TUBE	15772-292-010	001
03	CLIP C	17355-MC7-000	001
04	CLIP A	17357-MC7-000	001
05	TUBE, BREATHER	17358-MC7-000	001
06	JOINT, BREATHER TUBE	17359-419-670	001
07	SEPARATOR, BREATHER	17360-MC7-000	001
08	BAND	17366-435-000	001
09	TUBE C, DRAIN	17367-MC7-000	001
10	TUBE B, DRAIN	17369-MC7-000	001
11	PLUG, BREATHER TUBE	17370-382-870	001
12	TUBE A, FUEL	17371-MC7-000	001
13	GUIDE, DRAIN TUBE	17375-MC7-000	001
14	CLIP, SUB-TANK HOSE	17724-102-700	002
15	CLIP (16MM)	18534-634-670	002
16	TANK, RESERVE	19103-MA1-000	001
17	CAP, RESERVE TANK	19104-415-000	001
18	CABLE, CAP LOCK	19105-415-000	001
19	GASKET, RESERVE TANK	19106-415-000	001
20	LABEL, RESERVE TANK	87507-415-670	001
21	BOLT, FLANGE (6MM)	90111-162-000	002
22	CLIP, TUBE	91462-393-780	001
23	JOINT, TUBE	91463-393-780	001
24	BULK HOSE (7.5X8000)	95001-75008-60M	001
25	BULK HOSE (7.5X8000)	95001-75008-60M	001
26	CLIP, TUBE (A15)	95002-01150	001
27	CLIP, TUBE (A16)	95002-01160	001
28	CLIP, TUBE (B12)	95002-02120	003

## Crankshaft & Pistons



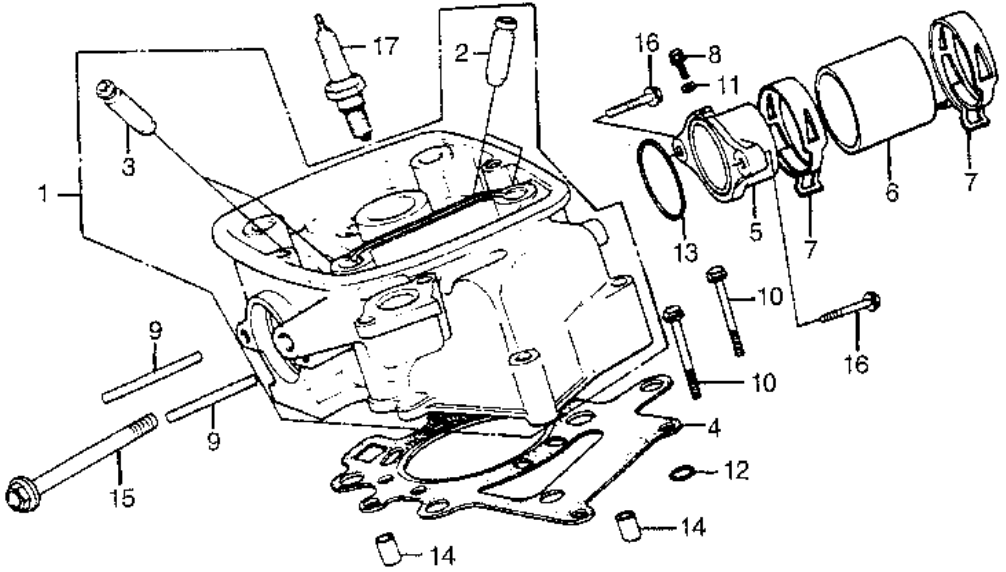
REF#	PART		#REQ
01	RING SET (STD)	13011-MC7-004	002
01	RING SET (OS 0.25)	13012-MC7-004	002
01	RING SET (OS 0.50)	13013-MC7-004	002
02	PISTON, R. (STD)	13101-MC7-003	001
02	PISTON, R. (OS 0.25)	13103-MC7-000	001
02	PISTON, R. (OS 0.50)	13105-MC7-000	001
03	PISTON, L. (STD)	13102-MC7-003	001
03	PISTON, L. (OS 0.25)	13104-MC7-000	001
03	PISTON, L. (OS 0.50)	13106-MC7-000	001
04	PIN, PISTON	13111-MC7-000	002
05	CLIP (22MM)	13112-MC7-000	004
06	NUT, CONNECTING ROD	13205-634-010	
	(replaces	13205-689-004)	004
07	ROD, CONNECTING	13210-MC7-000	002
08	BOLT, CONNECTING ROD	13213-MS2-610	
	(replaces	13213-MC7-004)	004
09	BEARING B, CONN ROD	13216-MC7-003	004
09	BEARING C, CONN ROD	13217-MC7-003	004
09	BEARING D, CONN ROD	13218-MC7-003	004
09	BEARING E, CONN ROD	13219-MC7-003	004
09	BEARING F, CONN ROD	13220-MC7-003	004
10	CRANKSHAFT	13300-MC7-000	001
11	PIN (3X5.2)	30905-216-000	001
12	KEY (25X18)	94401-25180	001

## Cylinder Head, Left



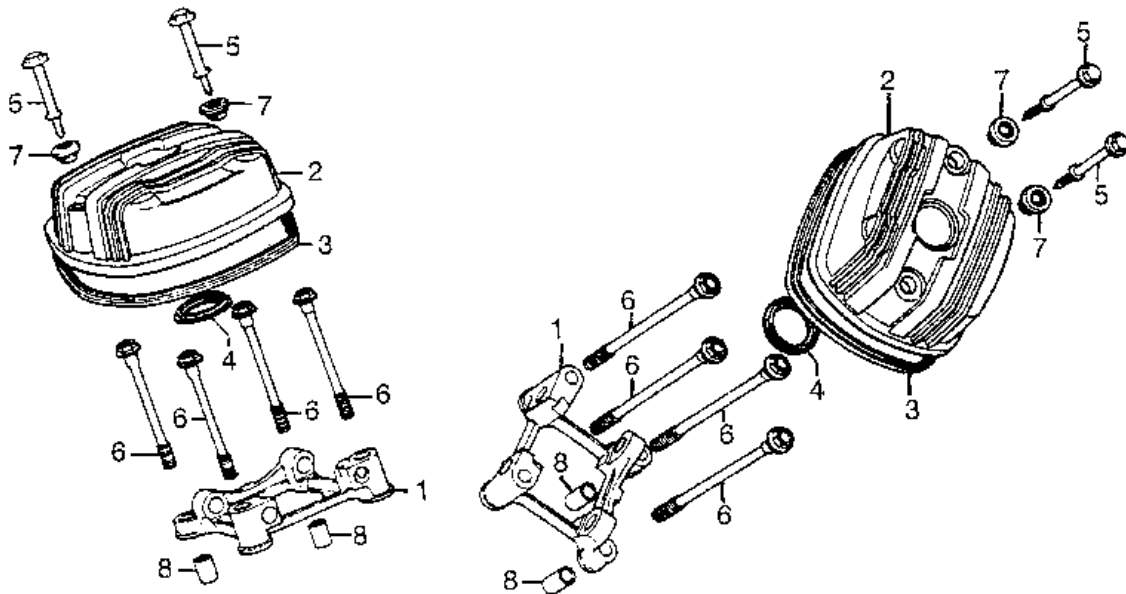
REF#	PART		#REQ
01	CYLINDER HEAD, L.	12210-MC7-000	001
02	GUIDE, IN VALVE	12233-MG8-405	
		(replaces 12231-MC7-305)	002
03	GUIDE, IN VALVE	12233-MG8-405	
		(replaces 12241-MA1-300)	
		(replaces 12241-MA1-305)	002
04	GASKET, CYL HD	12251-MC7-306	
		(replaces 12251-MC7-000)	001
05	JOINT, L. IN.	17114-MC7-000	001
06	INSULATOR, IN.	17115-MC7-003	001
07	BAND, IN. MANIFOLD	17118-MC7-003	002
08	*90002-ZG3-000	90002-MC7-000	001
09	BOLT, STUD (8X43)	90062-MC7-000	002
10	BOLT, FLANGE (8X50)	90068-MC7-000	002
11	WASHER (5MM)	90452-323-000	001
12	O-RING (6.9X1.5)	91302-044-013	001
13	O-RING (40X2.4)	91325-413-830	
		(replaces 91325-567-005)	001
14	PIN, DOWEL (8X14)	94301-08140	002
15	BOLT, FLANGE (10X50)	95700-10050-00	001
15	BOLT, FLANGE (10X50)	95701-10050-00	001
16	BOLT, FLANGE (6X22)	96001-06022-00	
		(replaces 96000-06022-00)	002
17	S/PLG (DPR7EV-9)	98069-57912	
		(replaces 98069-57922)	001
17	S/PLG (DPR8EV-9)	98069-58912	
		(replaces 98069-58922)	001
17	S/PLG (DPR9EV-9)	98069-59912	
		(replaces 98069-59922)	001

## Cylinder Head, Right



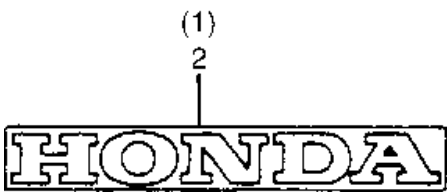
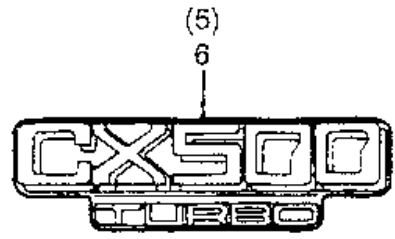
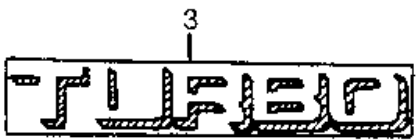
REF#	PART		#REQ
01	CYLINDER HEAD, R.	12200-MC7-000	001
02	GUIDE, IN VALVE	12233-MG8-405	
03	GUIDE, IN VALVE	(replaces 12231-MC7-305)	002
		12233-MG8-405	
		(replaces 12241-MA1-300)	
		(replaces 12241-MA1-305)	002
04	GASKET, CYL HD	12251-MC7-306	
		(replaces 12251-MC7-000)	001
05	JOINT, R. IN.	17113-MC7-000	001
06	INSULATOR, IN.	17115-MC7-003	001
07	BAND, IN. MANIFOLD	17118-MC7-003	002
08	*90002-ZG3-000	90002-MC7-000	001
09	BOLT, STUD (8X43)	90062-MC7-000	002
10	BOLT, FLANGE (8X50)	90068-MC7-000	002
11	WASHER (5MM)	90452-323-000	001
12	O-RING (6.9X1.5)	91302-044-013	001
13	O-RING (40X2.4)	91325-413-830	
		(replaces 91325-567-005)	001
14	PIN, DOWEL (8X14)	94301-08140	002
15	BOLT, FLANGE (10X50)	95700-10050-00	001
15	BOLT, FLANGE (10X50)	95701-10050-00	001
16	BOLT, FLANGE (6X22)	96001-06022-00	
		(replaces 96000-06022-00)	002
17	S/PLG (DPR7EV-9)	98069-57912	
		(replaces 98069-57922)	001
17	S/PLG (DPR8EV-9)	98069-58912	
		(replaces 98069-58922)	001
17	S/PLG (DPR9EV-9)	98069-59912	
		(replaces 98069-59922)	001

## Cylinder Head Covers



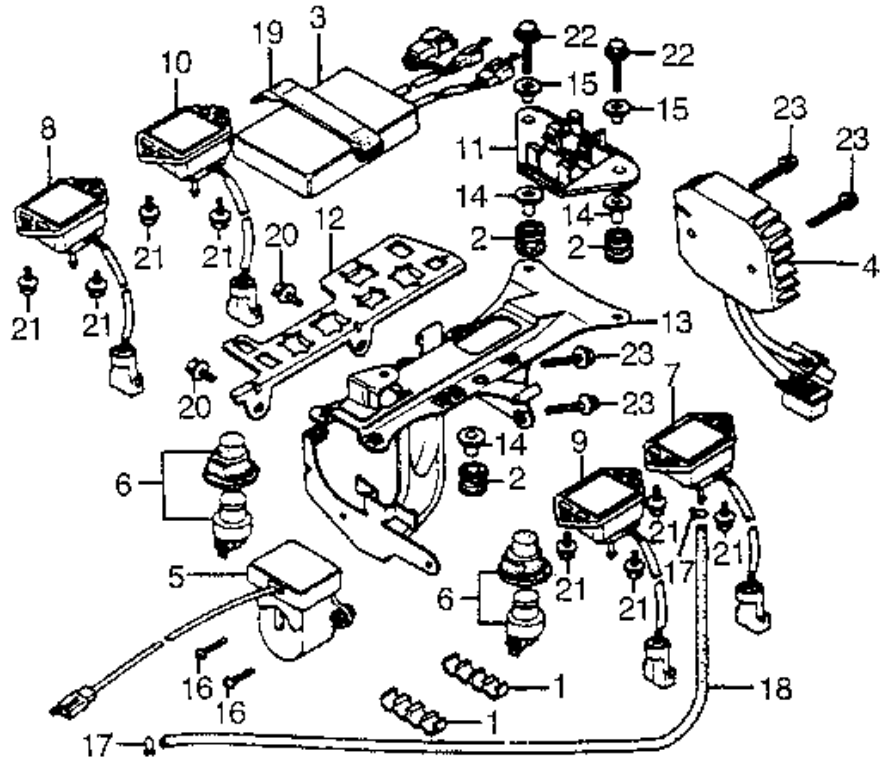
REF#	PART		#REQ
01	HOLDER	12215-ME7-000	
		(replaces 12215-415-000)	
02	COVER, CYLINDER HEAD	12311-MC7-000	002
03	GASKET, HEAD COVER	12328-415-000	002
04	GASKET, PLUG HOLE	12329-415-000	002
05	BOLT, SPECIAL (6X60)	90016-MC7-000	004
06	BOLT, FLG (12X150)	90021-415-000	008
07	RUBBER, SETTING	90541-371-000	004
08	PIN, DOWEL (14X20)	94301-14200	004

**Decals**



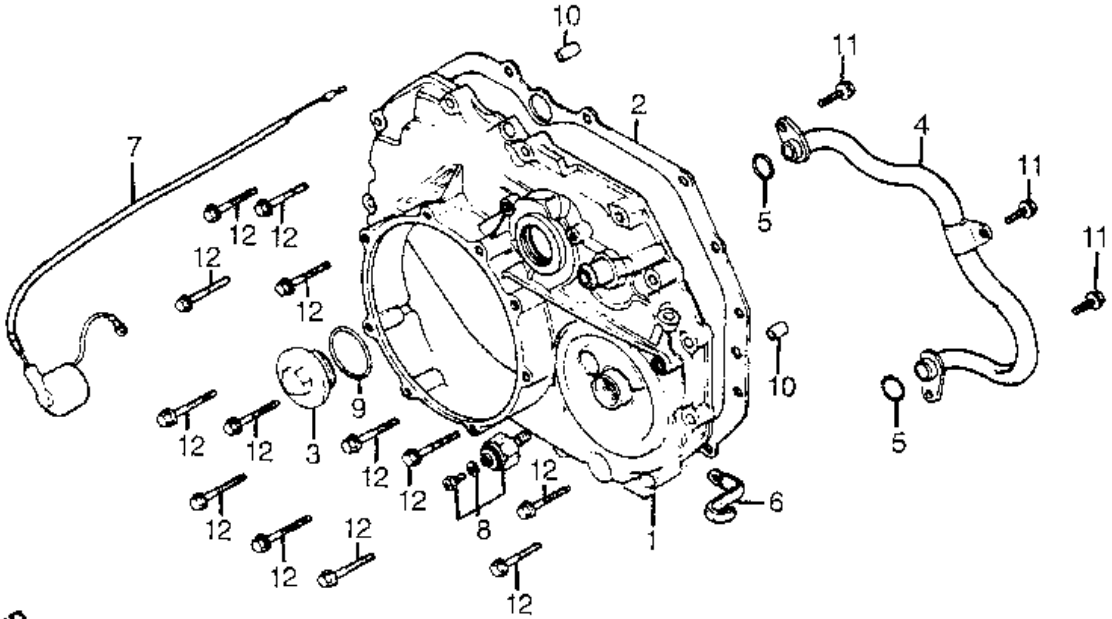
REF#	PART		#REQ
01	DECAL, R.	87121-MC7-300	001
02	DECAL, L.	87122-MC7-300	001
03	LABEL, FAIRING HOOD	87124-MC7-670	001
04	LABEL, RR. COWL	87125-MC7-300	001
05	LABEL, R. SIDE COVER	87126-MC7-300	001
06	LABEL, L. SIDE COVER	87127-MC7-300	001

## Electrical Plate & Modules



REF#	PART		#REQ
01	CLIP, SENSOR TUBE	16961-MC7-000	002
02	RUBBER	17245-107-010	003
03	MODULE, IGN CONT	30400-MC7-005	001
04	RECTIFIER ASSY.	31600-MC7-008	001
05	SENSOR ASSY.	35160-MC7-003	001
06	RELAY, MAIN	36130-MC7-003	002
07	SENSOR 1, PRESSURE	36161-MC7-003	001
08	SENSOR 2, PRESSURE	36171-MC7-003	001
09	SENSOR	36181-MC7-003	001
10	SENSOR, PIGN	36191-MC7-003	001
11	STAY	50324-MC7-000	001
12	STAY, CONNECTOR	50326-MC7-000	001
13	STAY, ELECTRIC	50327-MC7-000	001
14	COLLAR, FR. FENDER	61104-428-000	003
14	COLLAR, RR. FENDER	61105-428-000	003
15	COLLAR	80112-443-850	002
16	SCREW, PAN (4X18)	93500-04018-0A	002
17	CLIP, TUBE (B7)	95002-02070	002
18	BULK HOSE (3.5X1000)	95005-35001-20M	001
19	BAND B2, BATTERY	95012-13001	
	(replaces	95012-13000)	001
20	BOLT, FLANGE (6X10)	95701-06010-00	
	(replaces	95700-06010-00)	002
21	BOLT, FLANGE (6X12)	95701-06012-00	
	(replaces	95700-06012-00)	008
22	BOLT, FLANGE (6X22)	95701-06022-00	
	(replaces	95700-06022-00)	002
23	BOLT, FLANGE (6X35)	95701-06035-00	
	(replaces	95700-06035-00)	004

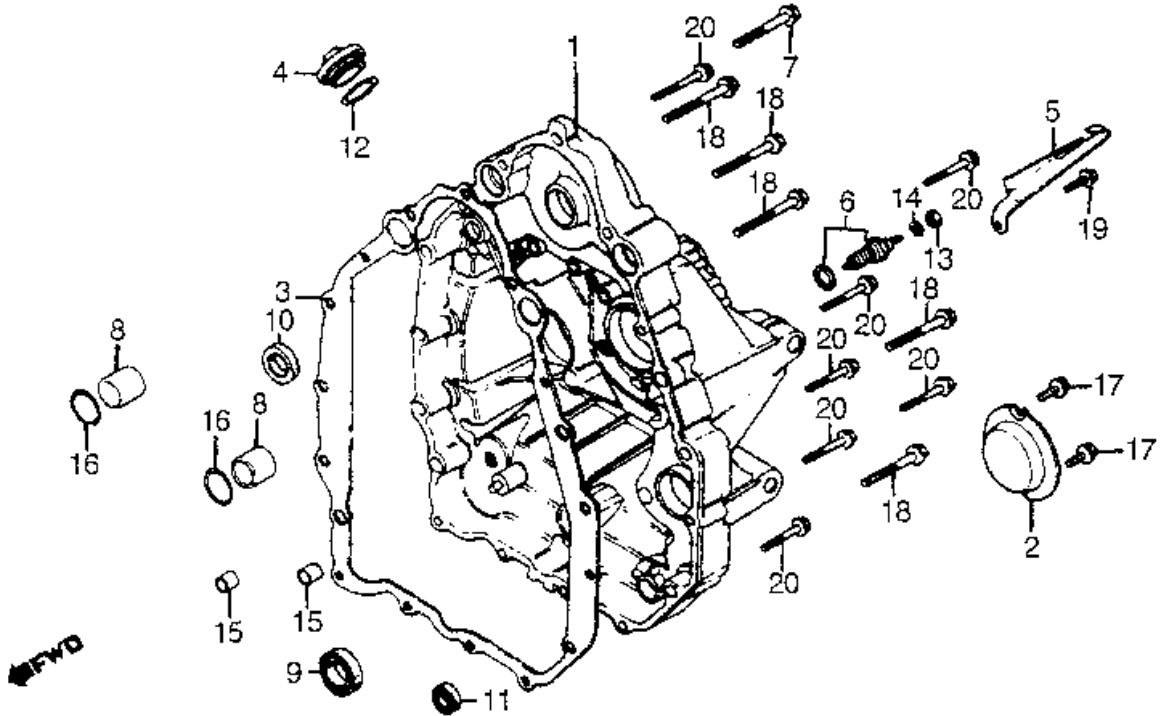
## Engine Cover, Front (Transmission Cover)



← FWD

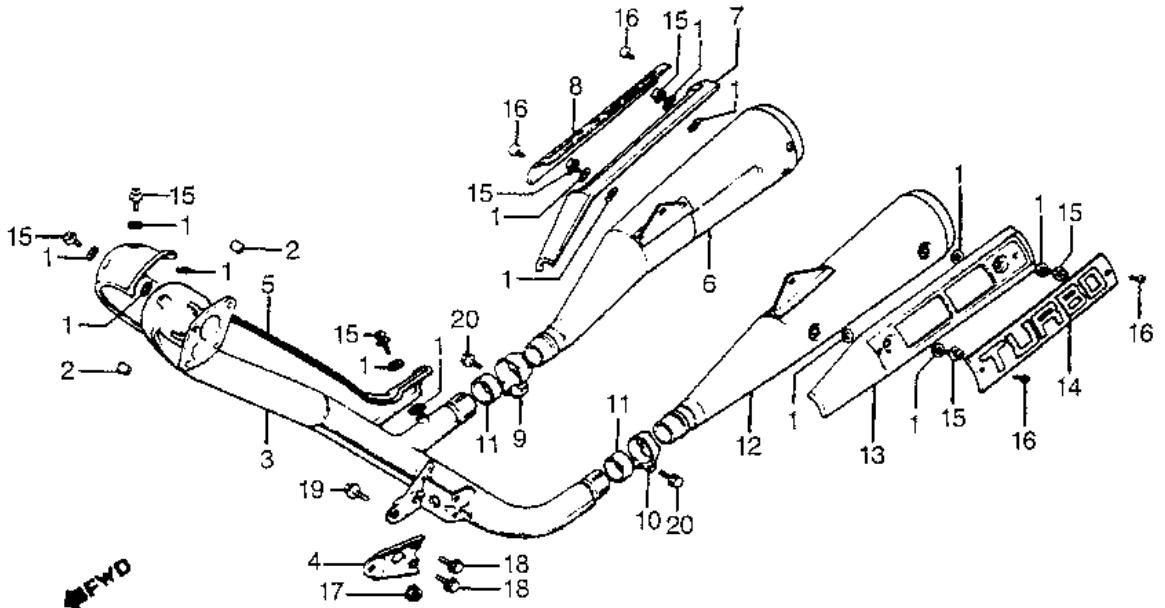
REF#	PART		#REQ
01	COVER, TRANSMISSION	11360-MC7-000	001
02	GASKET, TRANS CVR	11391-449-306	
	(replaces	11391-449-700)	001
03	CAP	12363-MC7-000	001
04	PIPE, OIL PASSAGE	15142-MC7-000	001
05	O-RING (11.8X2.4)	91302-ZE9-003	
	(replaces	16997-357-003)	
	(replaces	91302-ZE9-000)	
	(replaces	91320-HA5-000)	
	(replaces	91320-HA5-003)	002
05	O-RING (11.8X2.4)	91320-MJ6-003	002
06	CLAMP, CABLE	32111-MC7-000	001
07	CABLE B, ENGINE SUB	32117-MC7-000	001
08	SWITCH, OIL PRESSURE	35500-MJ4-024	
	(replaces	35500-MB9-004)	
	(replaces	35500-MJ0-004)	
	(replaces	35500-MJ4-004)	
	(replaces	35500-MJ4-014)	001
09	O-RING (27.5X2.6)	91302-001-710	
	(replaces	91302-001-000)	001
10	PIN, DOWEL (8X14)	94301-08140	002
11	BOLT, FLANGE (6X14)	95701-06014-00	
	(replaces	95700-06014-00)	003
12	BOLT, FLANGE (6X28)	96001-06028-00	
	(replaces	96000-06028-00)	013

# Engine Cover, Rear



REF#	PART		#REQ
01	COVER, RR.	11310-MC7-000	001
02	PLATE, BREATHER	11311-MC7-000	001
03	GASKET, RR. COVER	11394-449-306	
		(replaces 11394-449-701)	001
04	CAP	12363-MC7-000	001
05	GUIDE, NEUTRAL CABLE	31140-415-000	001
06	SWITCH, NEUTRAL	35600-413-023	
		(replaces 35600-413-003)	
		(replaces 35600-413-013)	
07	BOLT, FLANGE (8X68)	90066-MC7-000	001
08	COLLAR (22.2MM)	90701-415-000	002
09	OIL SEAL (22X36X7)	91202-MC7-000	001
10	OIL SEAL (18X28X6)	91202-283-013	001
11	OIL SEAL (16X28X7)	91204-MC7-003	001
12	O-RING (27.5X2.6)	91302-001-710	
		(replaces 91302-001-000)	001
13	NUT, HEX. (4MM)	94001-04000-0S	001
14	WASHER, SPRING (4MM)	94111-04800	001
15	PIN, DOWEL (10X16)	94301-10160	002
16	O-RING (23X2.8)	94608-50000	002
17	BOLT, FLANGE (6X12)	95701-06012-00	
		(replaces 95700-06012-00)	002
18	BOLT, FLANGE (8X40)	95701-08040-00	
		(replaces 95700-08040-00)	005
19	BOLT, FLANGE (6X14)	96001-06014-00	
		(replaces 96000-06014-00)	001
20	BOLT, FLANGE (6X32)	96001-06032-00	
		(replaces 96000-06032-00)	007

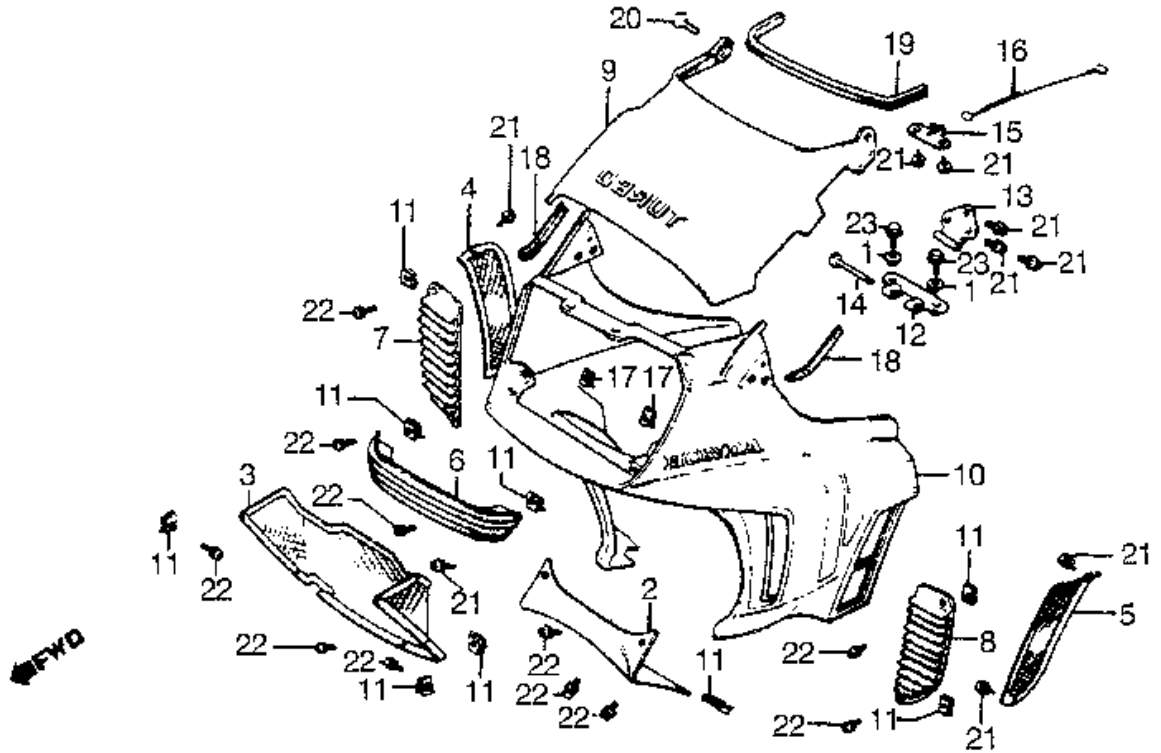
## Exhaust System



REF#	PART		#REQ
01	GASKET, PROTECTOR	18292-MM9-740	
		(replaces 18292-415-000)	
		(replaces 18292-KF9-900)	014
02	RUBBER	18293-147-000	002
03	PIPE, EX.	18320-MC7-010	
		(replaces 18320-MC7-000)	001
04	STAY, EX. PIPE	18322-MC7-000	001
05	PROTECTOR, EX. PIPE	18325-MC7-010	
		(replaces 18325-MC7-000)	001
06	MUFFLER, R.	18330-MC7-007	
		(replaces 18330-MC7-000)	001
07	PROTR, R. MUFFLER	18335-MC7-000	001
08	EMBLEM, R.	18336-MC7-305	
		(replaces 18336-MC7-000)	001
09	BAND, R. RR. MUFFLER	18375-MG7-000	
		(replaces 18375-MC7-000)	001
10	BAND, L. RR. MUFFLER	18376-MG7-000	
		(replaces 18376-MC7-000)	001
11	GASKET, RR. MUFFLER	18392-MG7-750	
		(replaces 18392-413-000)	002
12	MUFFLER, L.	18430-MC7-007	
		(replaces 18430-MC7-000)	001
13	PROTR, L. MUFFLER	18435-MC7-000	001
14	EMBLEM, L.	18436-MC7-305	
		(replaces 18436-MC7-000)	001
15	SCREW-WASHER (6X12)	90136-MC7-000	007
16	SCREW, OVAL (4X8)	93700-04008-0G	
		(replaces 93700-04008-1G)	004
17	NUT, FLANGE (8MM)	94050-08080	001
18	BOLT, FLANGE (8X16)	95701-08016-08	
		(replaces 95700-08016-08)	002
		(replaces 95900-08016-08)	002
		(replaces 95900-08016-0B)	002
		(replaces 96500-08016-08)	002
19	BOLT, FLANGE (8X35)	95701-08035-08	
		(replaces 95700-08035-08)	001

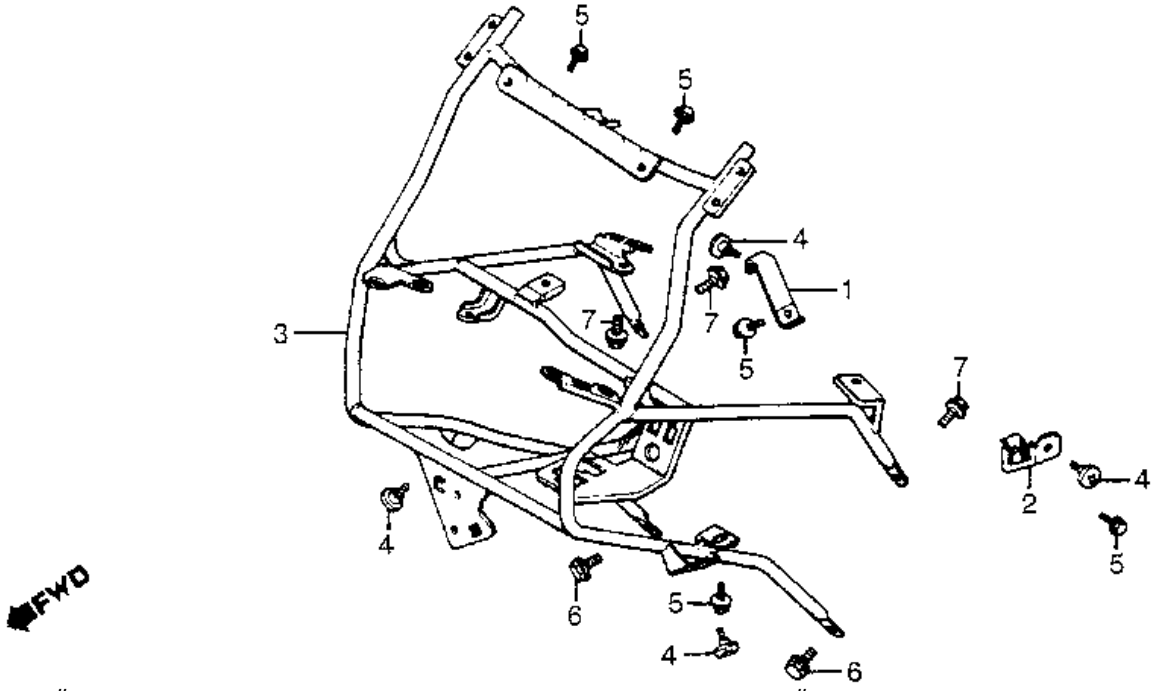
20 BOLT, FLANGE (8X40) 95701-08040-00  
(replaces 95700-08040-00) 002

# Fairing



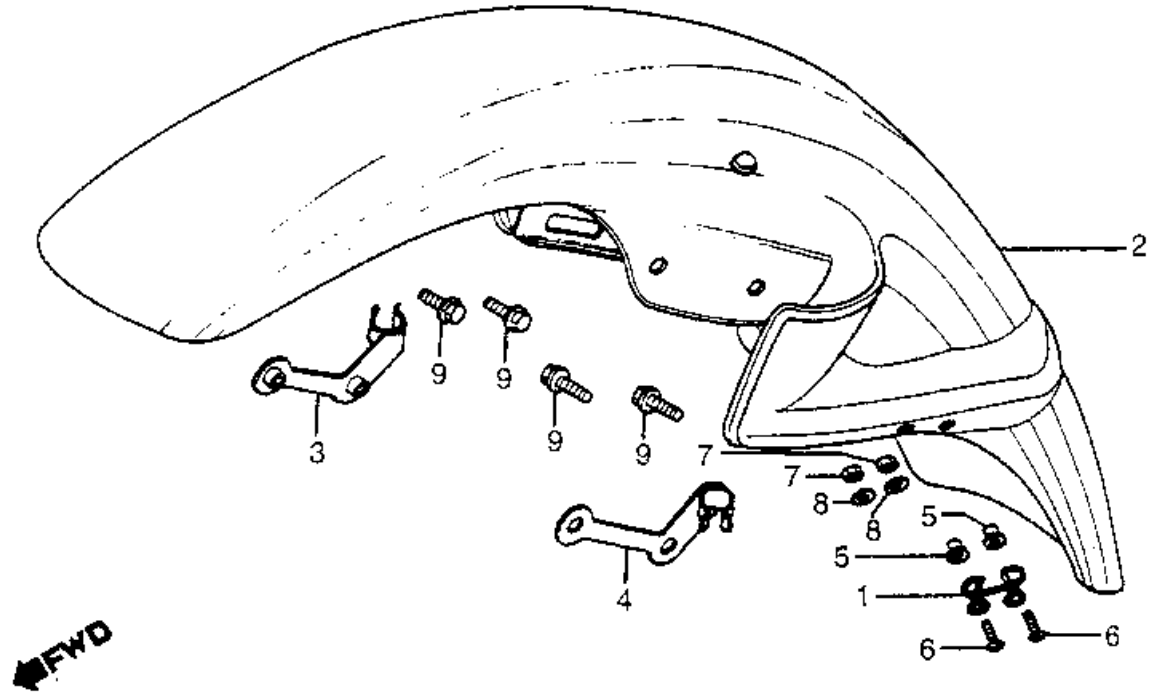
REF#	PART		#REQ
01	COLLAR, WINDSCREEN	64106-MC7-000	002
02	COVER *NH113PA*	64214-MC7-000ZA	001
03	GRILLE, RADIATOR	64230-MC7-000	001
04	GRILLE, R. OUTLET	64231-MC7-000	001
05	GRILLE, L. OUTLET	64232-MC7-000	001
06	GRILLE, FR. FAIRING	64233-MC7-000	001
07	GRL, R. FAIRING SIDE	64234-MC7-000	001
07	GRL, R. FAIRING SIDE	64234-MC7-010	001
08	GRL, L. FAIRING SIDE	64235-MC7-000	001
08	GRL, L. FAIRING SIDE	64235-MC7-010	001
09	HOOD SUB *NH113PA*	64270-MC7-670ZA	001
10	BODY SUB *NH113PA*	64280-MC7-305ZA	
	(replaces	64280-MC7-000ZA)	001
11	NUT, CLIP (4MM)	64521-MC7-000	013
11	NUT, CLIP (4MM)	64527-ML7-000	013
12	HINGE A, HOOD	64522-MC7-000	001
13	HINGE B, HOOD	64523-MC7-000	001
14	PIN, HOOD HINGE	64524-MC7-000	001
15	STAY, HOOD STOPPER	64527-MC7-000	001
16	STOPPER	64528-MC7-000	001
17	NUT, CLIP (6MM)	64529-MC7-000	002
18	RUBBER, FAIRING SEAL	64531-MC7-000	002
19	RUBBER, SEAL	64533-MC7-000	001
20	SCREW (INNER)	90111-MC7-000	002
21	*93891-04010-08	93891-04010-07	011
21	SCREW-WASHER (4X10)	93891-04010-08	011
22	SCREW-WASHER (4X12)	93891-04012-07	013
23	BOLT, FLANGE (6X10)	95701-06010-00	
	(replaces	95700-06010-00)	002

# Fairing Stay



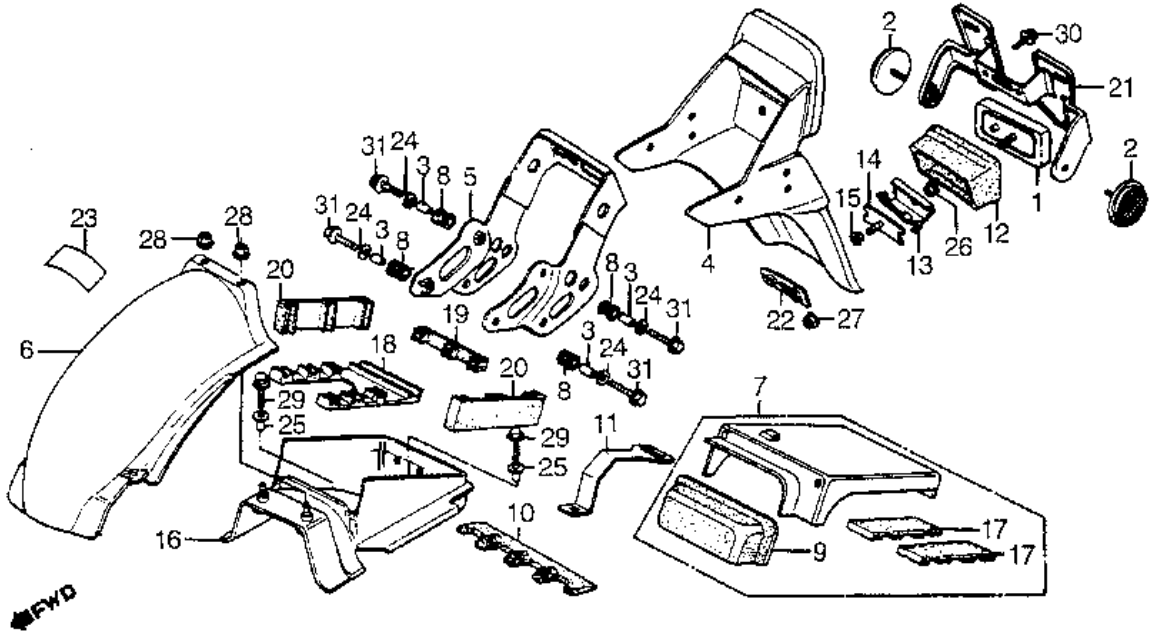
REF#	PART		#REQ
01	STAY, R.	64251-MC7-000	001
02	STAY, L.	64252-MC7-000	001
03	STAY, FAIRING	64501-MC7-000	001
04	SCREW	90112-MC7-000	004
05	BOLT, FLANGE (6X10)	95701-06010-00	
	(replaces	95700-06010-00)	005
06	BOLT, FLANGE (8X12)	95701-08012-00	
	(replaces	95700-08012-00)	002
07	BOLT, FLANGE (8X25)	95701-08025-00	
	(replaces	95700-08025-00)	003

# Fender, Front



REF#	PART		#REQ
01	GUIDE	44832-MC7-000	001
02	FDR, FR. *NH113PA*	61100-MC7-000ZA	001
03	CLAMP, R. FR.	61108-MC7-000	001
04	CLAMP, L. FR.	61109-MC7-000	001
05	COLLAR, RR. FENDER	80114-MC7-000	002
06	SCREW, PAN (5X16)	93500-05016-0B	002
07	NUT, HEX. (5MM)	94001-05080-0S	002
08	WASHER, PLAIN (5MM)	94101-05800	002
09	BOLT, FLANGE (6X16)	95701-06016-08	
	(replaces	95700-06016-08)	004

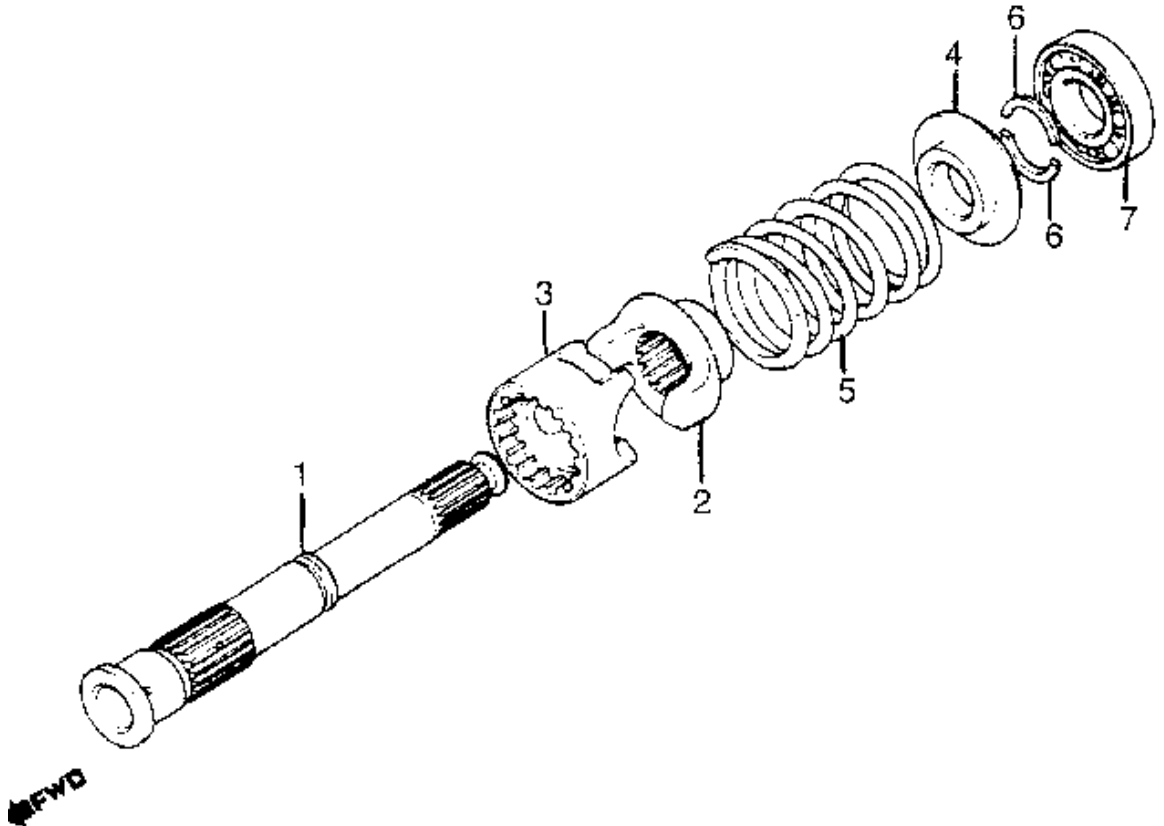
## Fender, Rear



REF#	PART		#REQ
01	REFLECTOR, REFLEX	33741-MC7-612	
		(replaces 33741-MC7-611)	001
02	REFLECTOR, RR.	33741-HB9-641	
		(replaces 33741-148-871)	
		(replaces 33741-148-872)	002
03	COLLAR, SEAT LOCK	77112-397-770	004
04	FENDER A, RR.	80100-MC7-307	
		(replaces 80100-MC7-670)	001
05	PLATE, TAILLIGHT	80101-MC7-000	001
06	FENDER B, RR.	80105-MC7-010	
		(replaces 80105-MC7-000)	001
07	COVER	80106-MC7-000	001
08	RUBBER B, RR. FENDER	80106-028-010	004
09	RUBBER	80107-MC7-300	001
10	RUBBER	80108-MC7-000	001
11	PLATE	80109-MC7-000	001
12	BASE, RR.	80111-MC7-000	001
13	BRKT, RR. REFLECTOR	80112-MC7-000	001
14	PLATE, RR. REFLECTOR	80113-MC7-000	001
15	COLLAR, RR. FENDER	80114-MC7-000	001
16	BOX	80205-MC7-000	001
17	RUBBER D	80207-MC7-000	002
18	RUBBER	80208-MC7-000	001
19	RUBBER C	80209-MC7-000	001
20	RUBBER B	80211-MC7-000	002
21	BRKT, NUMBER PLATE	84701-MC7-670	001
22	PLATE	84702-MA1-000	001
23	DIAGRAM	87135-MC7-670	001
24	WASHER	90504-124-000	004
25	COLLAR	90522-170-700	002
26	NUT, FLANGE (5MM)	94050-05080	001
27	NUT, FLANGE (6MM)	94050-06000	002
28	NUT, FLANGE (6MM)	94050-06080	002
29	BOLT, FLANGE (6X12)	95700-06012-08	002
29	BOLT, FLANGE (6X12)	95701-06012-08	002

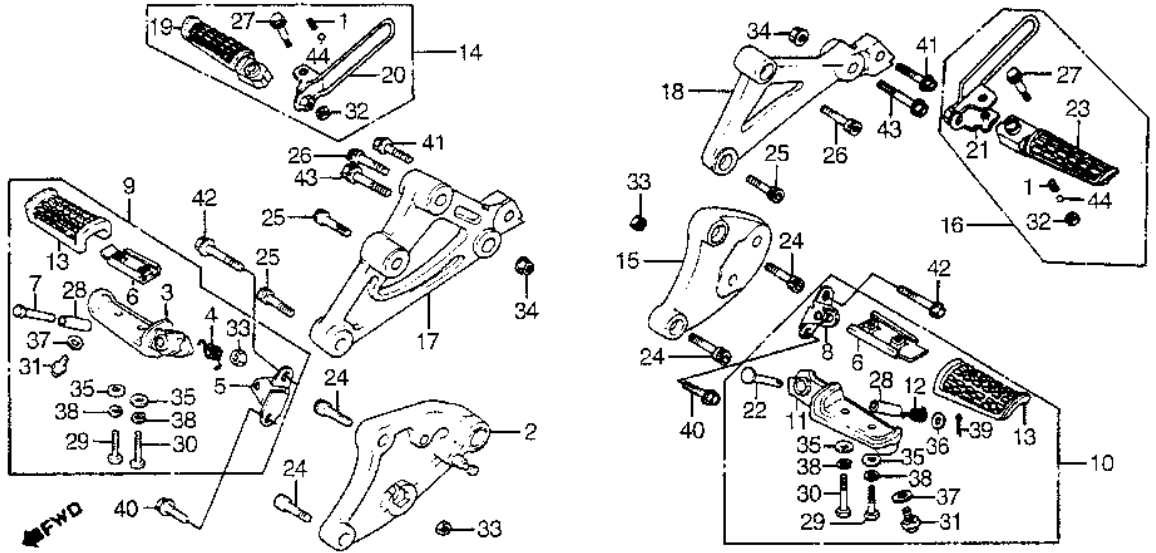
- 30 BOLT, FLANGE (6X14) 95701-06014-00  
(replaces 95700-06014-00) 002
- 31 BOLT, FLANGE (6X25) 95701-06025-07  
(replaces 95700-06025-07) 004

# Final Shaft



REF#	PART		#REQ
01	SHAFT, FINAL	23521-415-000	001
02	LIFTER, DAMPER	23721-MA1-000	001
03	CAM, DAMPER	23722-MC7-000	001
04	STOPPER	23731-371-000	001
05	SPRING, DAMPER	23732-MA1-000	001
06	WASHER	23733-371-000	002
07	BEARING (62/22)	91002-PL0-018	
		(replaces 91002-PL0-008)	
		(replaces 91005-634-004)	
		(replaces 91005-634-008)	
		(replaces 91005-657-003)	
		(replaces 91005-657-004)	
		(replaces 91005-657-008)	001

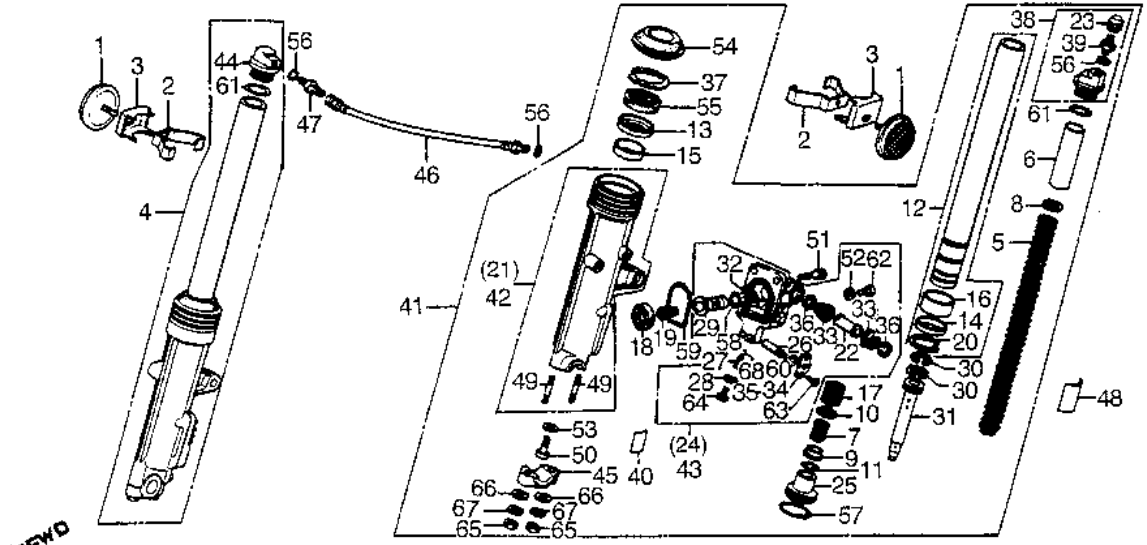
# Footpegs



REF#	PART		#REQ
01	SPRING	28333-300-000	002
02	HOLDER, R. FOOTPEG	50601-MC7-000	001
03	ARM, R. FOOTPEG	50612-445-840	001
04	SPRING, R.	50617-445-840	001
05	BRACKET, R. FOOTPEG	50618-445-840	001
06	PLATE	50619-MC7-000	002
07	BOLT	50621-438-000	001
08	BRACKET, L. FOOTPEG	50628-445-840	001
09	FOOTPEG, R. MAIN	50630-MC7-000	001
10	FOOTPEG, L. MAIN	50640-MC7-000	001
11	ARM, L. FOOTPEG	50642-445-840	001
12	SPRING, L.	50644-445-840	001
13	RUBBER, FOOTPEG	50661-425-700	002
14	FOOTPEG, R. PILLION	50700-MC7-000	001
15	HOLDER, L. FOOTPEG	50701-MC7-000	001
16	FOOTPEG, L. PILLION	50705-MC7-000	001
17	BRACKET, R.	50711-MC7-000	001
18	BRACKET, L.	50712-MC7-000	001
19	ARM, R.	50714-MC7-000	001
20	BRACKET, R.	50715-MC7-000	001
21	BRACKET, L.	50716-MC7-000	001
22	PIN	50716-438-000	001
23	ARM, L.	50717-MC7-000	001
24	BOLT, SOCKET (8X27)	90116-383-721	
	(replaces	90116-283-000)	
	(replaces	90116-283-010)	
	(replaces	90116-MC7-000)	004
25	BOLT, SOCKET (8X40)	90117-MC7-000	003
26	BOLT, SOCKET (8X45)	90125-MC7-000	002
27	BOLT, PILLION STEP	90187-MC7-000	002
28	COLR, FOOTPEG PIVOT	90501-445-840	002
29	BOLT, HEX. (5X25)	92101-05025-0A	
	(replaces	92000-05025-0A)	002
30	BOLT, HEX. (5X28)	92000-05028-0A	002
30	BOLT, HEX. (5X28)	92101-05028-0A	002
31	BOLT, CAP (8X12)	92501-08012-0A	
	(replaces	92500-08012-0A)	002
32	NUT, HEX. (6MM)	94001-06020-0S	002

33	NUT, HEX. (8MM)	94002-08000-0S	003
34	NUT, FLANGE (10MM)	94050-10080	002
35	WASHER, PLAIN (5MM)	94101-05000	004
36	WASHER, PLAIN (8MM)	94101-08000	001
37	WASHER, PLAIN (8MM)	94102-08000	002
38	WASHER, SPRING (5MM)	94111-05000	004
39	PIN, COTTER (1.6x25)	94201-16250	
	(replaces	94201-16150)	001
40	BOLT, FLANGE (8x20)	95700-08020-00	002
40	BOLT, FLANGE (8x20)	95701-08020-00	002
41	BOLT, FLANGE (8x32)	95701-08032-00	
	(replaces	95700-08032-00)	002
42	BOLT, FLANGE (8x40)	95701-08040-00	
	(replaces	95700-08040-00)	002
42	BOLT, FLANGE (8x40)	95701-08040-00	002
43	BOLT, FLANGE (10x40)	95700-10040-00	002
43	BOLT, FLANGE (10x40)	95701-10040-00	002
44	BALL (#8) (1/4)	96211-08000	002

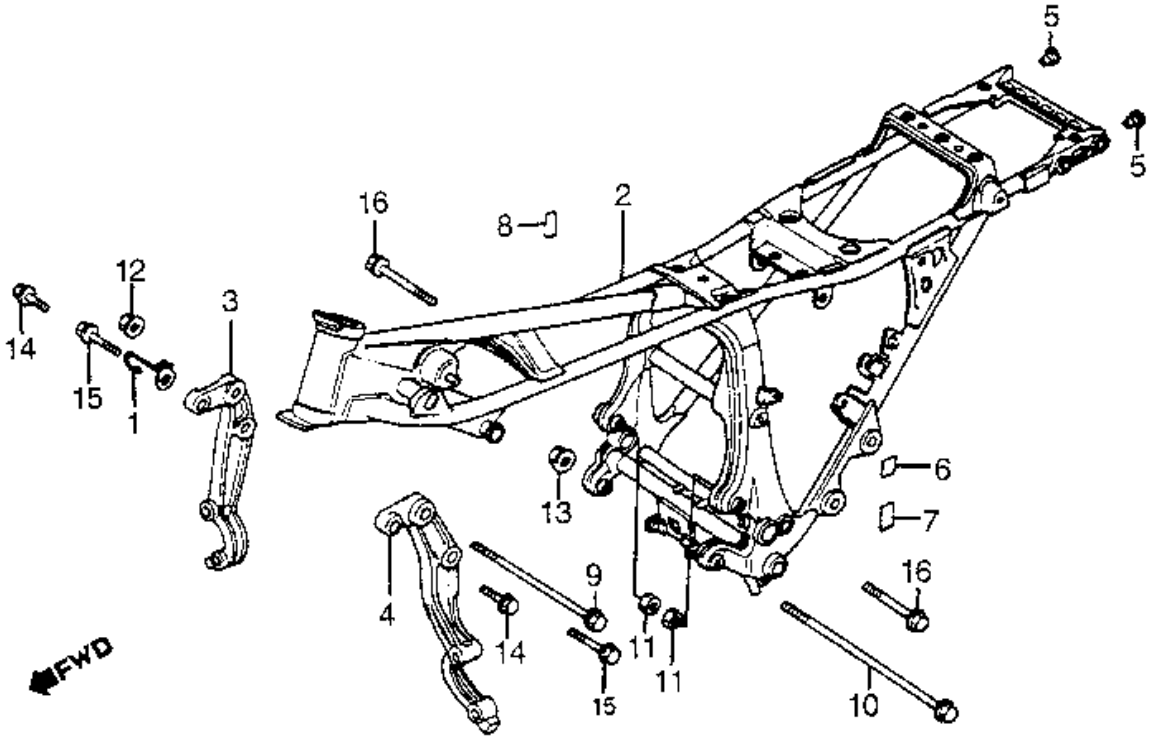
# Forks



REF#	PART	#REQ
01	REFLECTOR, FR. (replaces 33742-HB9-641 (replaces 33741-413-003)	002
02	STAY A, FR.	002
03	STAY B, FR.	002
04	S/ABS ASSY., R. FR. (replaces 51400-MC7-013)	001
04	S/ABS ASSY., R. FR.	001
05	SPRING A, FR. FORK	002
06	COLLAR, SPRING	002
07	SPRING, OIL LOCK	002
08	SEAT, SPRING	002
09	SEAT, SPRING	002
10	SEAT B, SPRING	002
11	RING, STOPPER	002
12	PIPE, FR. FORK	002
13	RING, BACK-UP	002
14	RING, OIL LOCK	002
15	BUSH, GUIDE (replaces 51414-MN4-003)	002
16	BUSH, SLIDER	002
17	SPRING, REBOUND	002
18	GASKET	002
19	SPRING, PISTON	002
20	RING B, STOPPER	002
21	CASE, R. (LOWER) (replaces 51421-MC7-013)	001
22	COLLAR, PISTON	002
23	DUST SEAL	001
24	CASE, R. PISTON	001
25	PIECE, OIL LOCK	002
26	ROD, ADJUSTER	002
27	SPRING, CLICK	002
28	WASHER (5MM)	002
29	PISTON	002
30	RING, PISTON	004
31	PIPE, SEAT	002
32	RUBBER, STOPPER	002

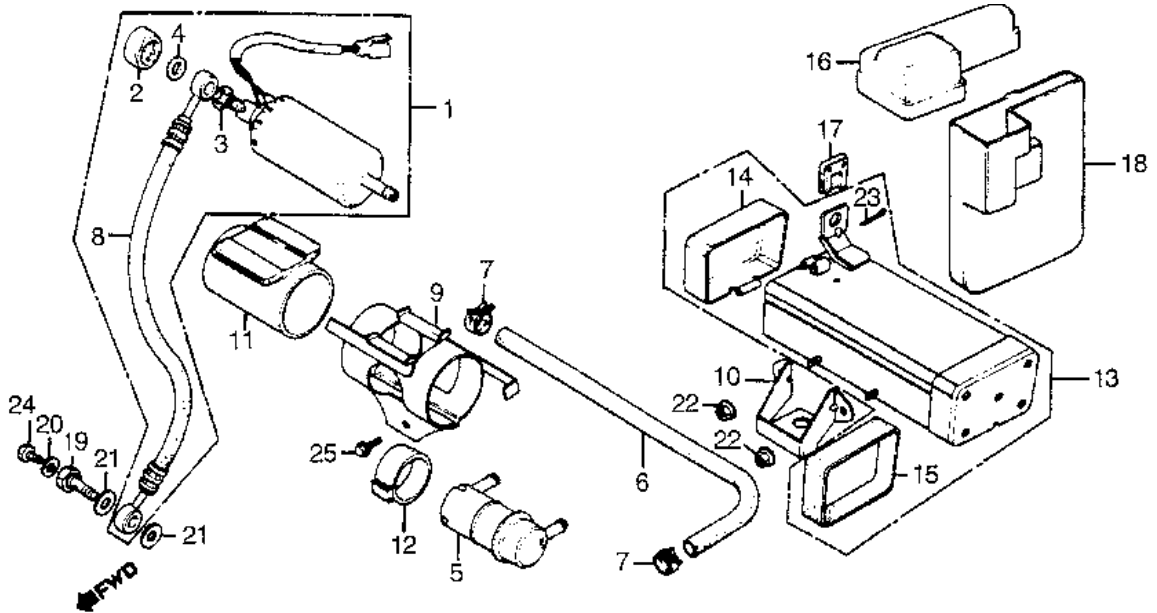
33	BOOT, PISTON CASE	51442-MC7-003	004
34	WASHER R SIDE	51443-MC7-505	
	(replaces	51443-MC7-003)	001
34	WASHER, R. SIDE	51443-MC7-013	001
35	WASHER B, SIDE	51444-MC7-505	
	(replaces	51444-MC7-003)	001
35	WASHER, L. SIDE	51444-MC7-013	001
36	HOLDER, BOOT	51445-MC7-003	004
37	CIRCLIP (50MM)	51447-461-003	002
38	BOLT ASSY., FR. FORK	51450-MC7-003	001
39	VALVE, AIR	51456-469-013	001
40	MARK, FR. FORK	51496-MC7-670	002
41	S/ABS ASSY., L. FR.	51500-MC7-670	
	(replaces	51500-MC7-003)	001
42	CASE, L. (LOWER)	51521-MC7-013	
	(replaces	51521-MC7-003)	001
43	CASE, L. PISTON	51530-MC7-013	001
44	BOLT, L. FR. FORK	51555-461-003	001
45	HOLDER, AXLE	51634-MC7-003	002
46	HOSE, FR. FORK JOINT	53137-MC7-003	001
47	CONNECTOR	53139-463-000	001
48	LABEL, FR.	87509-MC7-610	001
49	BOLT, STUD (8X53)	90102-MC7-003	004
50	BOLT, SOCKET (8X27)	90116-383-721	
	(replaces	90116-283-010)	002
51	BOLT, SOCKET (6X18)	96700-06018-17	
	(replaces	90118-MC7-003)	008
52	GASKET, FR.	90543-273-000	002
53	WASHER (8MM)	90544-283-000	002
54	DUST SEAL	91254-KAZ-003	
	(replaces	91254-461-003)	
	(replaces	91254-461-004)	002
55	OIL SEAL (37X50X11)	91255-461-003	
	(replaces	91255-461-004)	002
56	O-RING (5.8X1.9)	91305-323-000	
	(replaces	91301-469-003)	003
56	O-RING (5.6X1.9)	91318-ME5-003	003
57	O-RING E (33.5X2)	91306-MC7-003	002
58	O-RING (13.8X2.4)	91311-PH7-003	
	(replaces	91308-MC7-003)	002
59	O-RING (53.8X3.1)	91302-657-000	
	(replaces	91309-MC7-003)	
	(replaces	91309-PC6-003)	002
60	O-RING (6.8X1.9)	91306-PJ4-000	
	(replaces	91310-MC7-003)	002
61	O-RING (29X2.4)	91344-PC9-004	
	(replaces	91356-371-000)	002
62	BOLT, HEX. (6X8)	92101-06008-0A	
	(replaces	92000-06008-0A)	002
63	SCREW, PAN (4X10)	93500-04010-1B	004
63	SCREW, FLAT (4X10)	93600-04010-1B	004
64	SCREW, PAN (5X10)	93500-05010-0A	
	(replaces	93500-05010-1A)	
	(replaces	93510-05010-0A)	002
65	NUT, HEX. (8MM)	94030-08000	004
66	WASHER, PLAIN (8MM)	94101-08000	004
67	WASHER, SPRING (8MM)	94111-08000	004
68	BALL (#5) (5/32)	96211-05000	002

# Frame



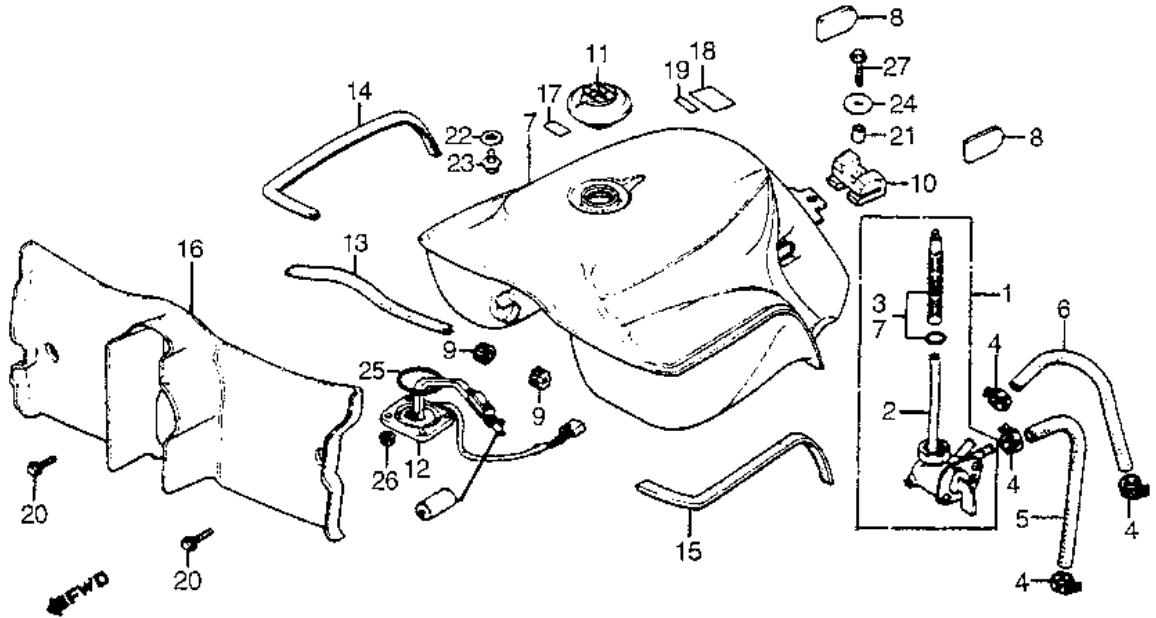
REF#	PART	#REQ
01	CLIP B	17356-MC7-000 001
02	FRAME *NH1*	50100-MC7-000ZA 001
03	BRKT, R. FR. ENG HGR	50311-MC7-000 001
04	BRKT, L. FR. ENG HGR	50321-MC7-000 001
05	CAP, PIPE (UPPER)	84105-MC7-000 002
06	LABEL	87506-MC7-610 001
07	LABEL	87508-MA1-770 001
08	LABEL, RR.	87518-MC7-610 001
09	BOLT, HEX. (10X212)	90109-MC7-000 001
10	BOLT, FLG (12X308)	90110-415-000 001
11	NUT, HEX. (10MM)	94030-10000 002
12	NUT, FLANGE (10MM)	94050-10080 001
13	NUT, FLANGE (12MM)	94050-12000 001
14	BOLT, FLANGE (10X20)	95701-10020-00
	(replaces	95700-10020-00) 002
15	BOLT, FLANGE (10X40)	95801-10040-08
	(replaces	95800-10040-08) 002
16	BOLT, FLANGE (10X70)	95801-10070-00
	(replaces	95800-10070-00) 002

## Fuel Pump & Tool Box



REF#	PART		#REQ
01	PUMP ASSY., FUEL	16700-ME7-000	
		(replaces 16700-MC7-003)	001
02	NUT, PUMP HEX.	16701-MC7-003	001
03	WASHER, PUMP	16702-MC7-003	001
04	GASKET, MUFFLER	16705-PD1-003	
		(replaces 16703-MC7-003)	001
05	FILTER ASSY., FUEL	16910-MC7-003	001
06	HOSE, FUEL	16966-MC7-000	001
07	CLIP B, FUEL HOSE	16968-MC7-000	002
08	HOSE ASSY., FUEL	17965-MC7-003	001
09	BAND, FUEL PUMP	50328-MC7-000	001
10	STAY	50329-MC7-000	001
11	RUB, FUEL PUMP BAND	50331-MC7-000	001
12	RUBBER, FILTER BAND	50333-MC7-000	001
13	BOX ASSY., TOOL	89501-MC7-000	001
14	CAP, TOOL BOX	89503-MC7-000	001
15	RUB, TOOL BOX BAND	89504-MC7-000	001
16	CAP, OWNER'S MANUAL	89506-MC7-000	001
17	RUBBER	89507-MC7-000	001
18	CASE, OWNER'S MANUAL	89508-MC7-000	001
19	BOLT, FUEL HOSE	90196-MC7-000	001
20	WASHER (12MM)	90461-357-000	001
21	WASHER, FUEL BOLT	90496-MC7-000	002
22	NUT, FLANGE (6MM)	94050-06080	002
24	BOLT, FLANGE (6X10)	95701-06010-00	
		(replaces 95700-06010-00)	001
25	BOLT, FLANGE (6X20)	95701-06020-00	
		(replaces 95700-06020-00)	001

## Fuel Tank & Petcock



REF#	PART		#REQ
01	PETCOCK ASSY.	16950-MC7-005	001
02	BODY, PETCOCK	16951-MC7-005	001
03	SCREEN SET	16952-MC7-005	001
04	CLIP, FUEL HOSE	16969-MC7-000	004
05	HOSE A, FUEL	16970-MC7-000	001
06	HOSE C, FUEL	16971-MC7-000	001
07	TANK, FUEL *NH113PA*	175A1-MC7-000ZA	001
08	RUBBER, SEAT SETTING	17512-MC5-000	002
09	RUB, FR. FUEL TANK	17611-KE8-000	
	(replaces	17611-286-000)	002
10	RUB, RR. FUEL TANK	17613-MC7-000	001
11	CAP, FUEL FILLER	17620-MC7-003	001
12	FUEL UNIT	37800-MC7-008	001
13	SEAL RUBBER, FR.	64200-MC7-000	001
14	RUBBER, R.	64225-MC7-000	001
15	RUBBER, L.	64227-MC7-000	001
16	APRON, FUEL TANK	64229-MC7-000	001
17	LABEL, FR.	87517-445-630	001
18	MARK (TYPEB)	87560-181-760ZE	
	(replaces	87560-181-760)	001
18	LABEL *NH1*	87560-181-760ZD	001
18	MARK (TYPEB)	87560-181-760ZE	001
19	LABEL, FUEL CAUTION	87562-MC7-670	001
20	BOLT, FLANGE (6MM)	90111-187-000	002
21	COLLAR (8MM)	90324-300-000	001
22	WASHER, DRAIN (12MM)	94109-12000	
	(replaces	90407-231-000)	001
22	GASKET (12.5X20)	90407-259-000	001
23	BOLT, FLANGE (12X15)	90473-461-000	001
24	WASHER (8.3MM)	90534-011-000	001
25	O-RING (39.5X5)	91305-MC7-000	001
26	NUT, FLANGE (6MM)	94050-06080	004
27	BOLT, FLANGE (8X25)	95701-08025-08	
	(replaces	95700-08025-08)	001

**Gasket Kit A**

(Image Not Available)

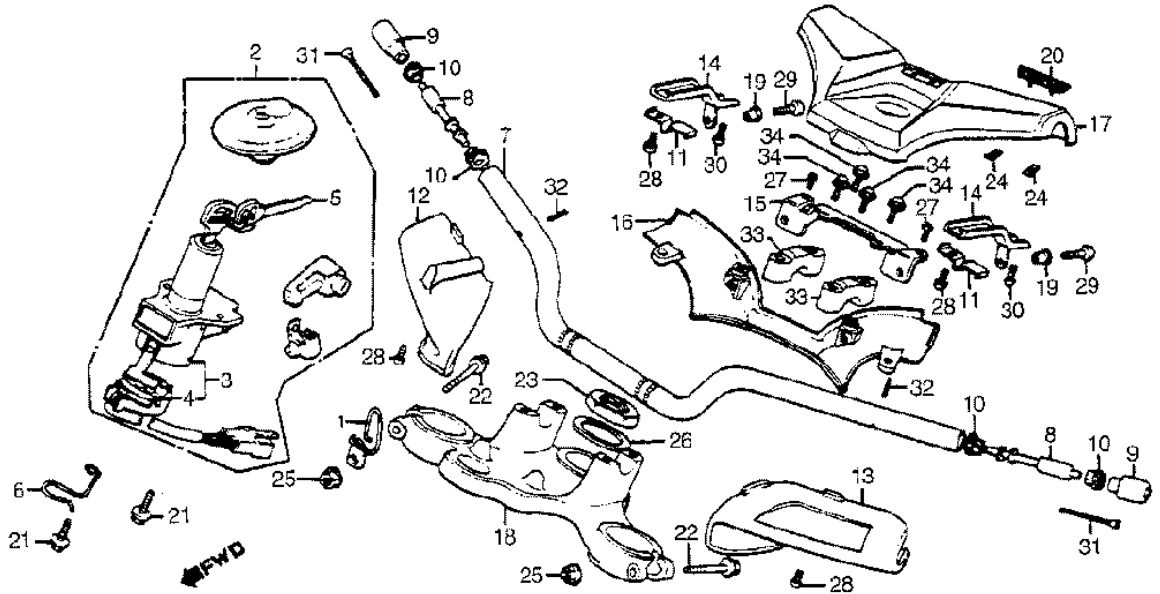
REF#	PART		#REQ
	GASKET KIT A	061A1-MC7-S00	
		(replaces 061A1-MC7-000)	001
01	SEAL, VALVE STEM	12209-MB9-003	
		(replaces 12209-300-003)	008
02	GASKET	12230-MC7-306	
		(replaces 12230-MC7-000)	001
03	GASKET, CYL HD	12251-MC7-306	
		(replaces 12251-MC7-000)	002
04	GASKET, HEAD COVER	12328-415-000	002
05	GASKET, PLUG HOLE	12329-415-000	002
06	GASKET, EX. MANIFOLD	18139-MC7-000	002
06	GASKET, EX. MANIFOLD	18139-ME7-000	002
07	O-RING (6.9X1.5)	91302-044-013	002
08	O-RING (53.8X3.1)	91302-657-000	001
09	O-RING	91303-MC7-003	001
10	O-RING (13.5X1.4)	91307-PH7-660	
		(replaces 91307-611-000)	001
11	O-RING (40X2.4)	91325-413-830	
		(replaces 91325-567-005)	002
12	O-RING (23X2.8)	94608-50000	001

**Gasket Kit B**

(Image Not Available)

REF#	PART		#REQ
	GASKET KIT B	061B1-MC7-S00	
		(replaces 061B1-MC7-000)	001
01	GASKET	11128-MC7-306	
		(replaces 11128-MC7-000)	001
02	GASKET, CLUTCH COVER	11372-MC7-306	
		(replaces 11372-MC7-000)	001
03	GASKET, TRANS CVR	11391-449-306	
		(replaces 11391-449-700)	001
04	GASKET, RR. COVER	11394-449-306	
		(replaces 11394-449-701)	001
05	O-RING (11.8X2.4)	91302-ZE9-003	
		(replaces 16997-357-003)	002
		(replaces 91302-ZE9-000)	002
		(replaces 91320-HA5-000)	002
		(replaces 91320-HA5-003)	002
05	O-RING (11.8X2.4)	91320-MJ6-003	002
06	GASKET, PULSER COVER	30373-MC7-306	
		(replaces 30373-MC7-000)	001
07	O-RING (22X3.0)	91307-425-003	
		(replaces 91301-250-000)	001
08	O-RING (13.6X2.4)	91301-268-020	004
09	O-RING (27.5X2.6)	91302-001-710	
		(replaces 91302-001-000)	002
10	O-RING (15X2.5)	91302-377-000	002
11	O-RING (8X1.7)	91306-HB3-003	
		(replaces 91303-001-000)	001
12	O-RING (8.2X1.5)	91308-MC7-000	001
13	O-RING (4.1X1.5)	91308-371-003	001
14	O-RING (81X4.5)	91315-MA6-003	
		(replaces 91311-415-000)	001
15	O-RING (76.5X3)	91362-MC7-004	001
16	O-RING (15.3X3.5)	91363-MC7-004	001
17	O-RING (23X2.8)	94608-50000	004

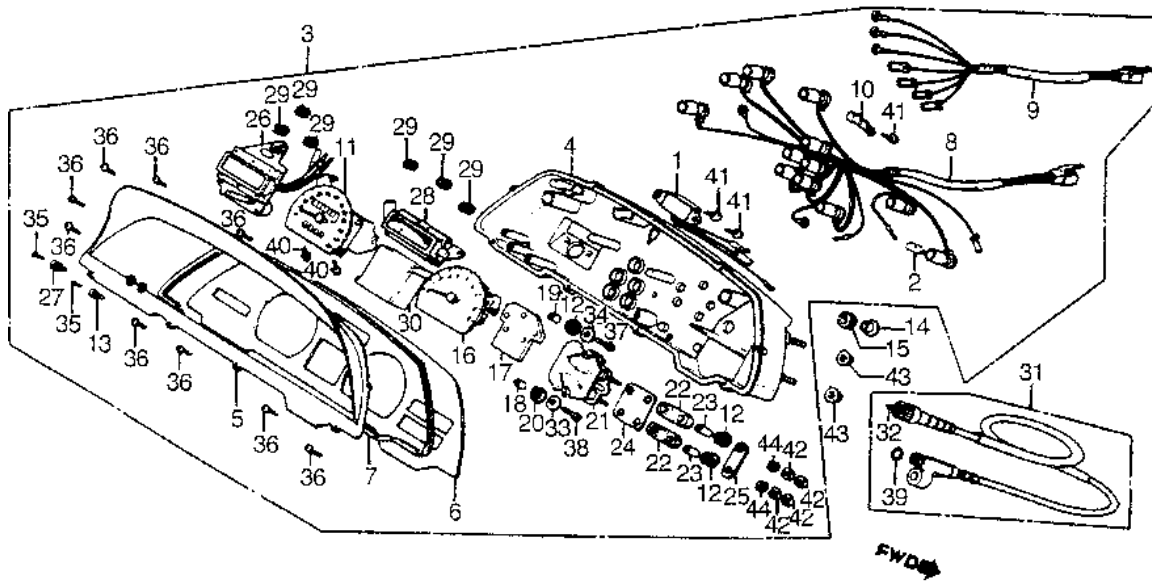
## Handlebar & Top Bridge & Lockset



REF#	PART		#REQ
01	CLIP, CLUTCH CABLE	22875-MC7-000	001
02	LOCK SET	35010-MC7-600	
	(replaces	35010-MC7-601)	001
03	SWITCH, COMBINATION	35100-MC7-601	001
04	BASE, CONTACT	35101-MC7-611	001
05	KEY, BLANK (TYPE1)	35121-KW3-771	
	(replaces	35121-MC7-811)	
	(replaces	35121-MG9-810)	001
05	KEY, BLANK (TYPE2)	35122-KW3-771	001
05	KEY, BLANK (TYPE2)	35122-MG9-810	
	(replaces	35122-MC7-811)	001
	(replaces	35122-MG9-820)	001
06	GUIDE	50733-MC7-000	001
07	HANDLEBAR	53100-MC7-000	001
08	WEIGHT B, HANDLEBAR	53101-MC7-000	002
09	WEIGHT A, HANDLEBAR	53102-MC7-000	002
10	RUB, HANDLE WEIGHT	53107-121-730	004
11	HOLDER, LEVER COVER	53203-MC7-000	002
12	COVER, R. *NH114MU*	53204-ME7-000ZA	
	(replaces	53204-MC7-000ZA)	001
13	COVER, L. *NH114MU*	53206-ME7-000ZA	
	(replaces	53206-MC7-000ZA)	001
14	BRACKET	53207-MC7-000	002
15	STAY	53208-MC7-000	001
16	COVER, HANDLEBAR	53209-MC7-000	001
17	COVER, HANDLEBAR	53210-ME7-000	
	(replaces	53210-MC7-000)	001
18	BRIDGE *NH105*	53230-MC7-000ZA	001
19	COLLAR	53211-MC7-000	002
20	EMBLEM	87106-MC7-300	001
21	BOLT	90105-MC7-000	002
22	BOLT, FLANGE (7X54)	90155-369-000	002
23	NUT, STEERING STEM	90304-MC7-000	001
24	NUT, SPEED (3MM)	90315-504-000	002
25	NUT, FLANGE (7MM)	90355-369-000	002
26	WASHER	90503-283-000	001

27	SCREW, PAN (6X8)	93500-06008-0H	
	(replaces	90053-371-980)	
	(replaces	93500-06008-1H)	002
28	SCREW, PAN (6X12)	93500-06012-0A	004
29	SCREW, PAN (6X16)	93500-06016-0G	002
30	SCREW, PAN (6X20)	93500-06020	002
30	SCREW, PAN (6X20)	93500-06020-0A	002
31	SCREW, OVAL (6X50)	93700-06050-0G	002
32	PIN, SPRING (4X22)	94305-40222	002
33	HOLDER B2, HANDLEBAR	95014-22200	002
34	BOLT, FLANGE (8X35)	95800-08035-00	004

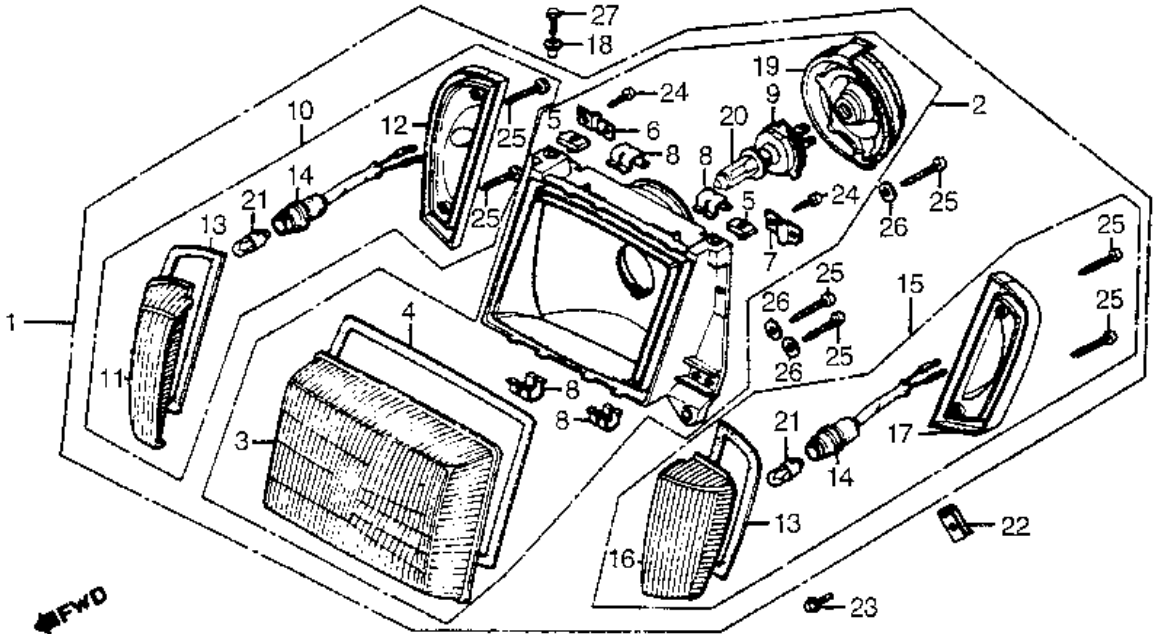
# Instruments



REF#	PART		#REQ
01	REGULATOR (7V)	31410-MC7-611	001
02	BULB (12V3.4W2CP)	37237-SA5-003	
	(replaces	34908-GA7-701)	
	(replaces	37102-567-009)	
	(replaces	37237-SA5-004)	013
03	INSTRUMENT ASSY.	37100-MC7-671	001
04	CASE	37101-MC7-611	001
05	GLASS	37102-MC7-611	001
06	PLATE, REFLECTING	37103-MC7-671	001
07	GASKET, METER	37104-MC7-611	001
08	SOCKET A	37105-MC7-611	001
09	SOCKET B	37106-MC7-611	001
10	CLAMP	37107-MC7-611	001
11	SPEEDOMETER ASSY.	37200-MC7-671	001
12	RUB, METER SETTING	37203-MC7-611	007
13	KNOB, TRIP METER	37204-MC7-612	
	(replaces	37204-MC7-611)	001
14	COLLAR	37243-MC7-000	004
15	RUBBER	37244-MC7-000	004
16	TACHOMETER ASSY.	37250-ME7-610	
	(replaces	37250-MC7-671)	001
17	RUBBER, TACHOMETER	37253-MC7-611	001
18	COLLAR	37254-MC7-611	002
19	COLLAR, TACHOMETER	37255-MC7-611	003
20	GASKET, TACHOMETER	37256-MC7-611	002
21	INSTRUMENT ASSY.	37300-MC7-611	001
22	RUBBER	37302-MC7-611	002
23	COLLAR	37303-MC7-611	004
24	STAY	37304-MC7-611	001
25	WASHER	37305-MC7-611	001
26	METER ASSY., HOUR	37460-MC7-611	001
27	KNOB, CLOCK METER	37461-MC7-612	
	(replaces	37461-MC7-611)	001
28	INSTRUMENT, TURBO	37490-MC7-611	001
29	RUBBER	37491-MC7-611	006
30	INDICATOR ASSY.	37600-MC7-611	001
31	CABLE, SPEEDOMETER	44830-MC7-000	001
32	CABLE (INNER)	44831-MJ8-300	

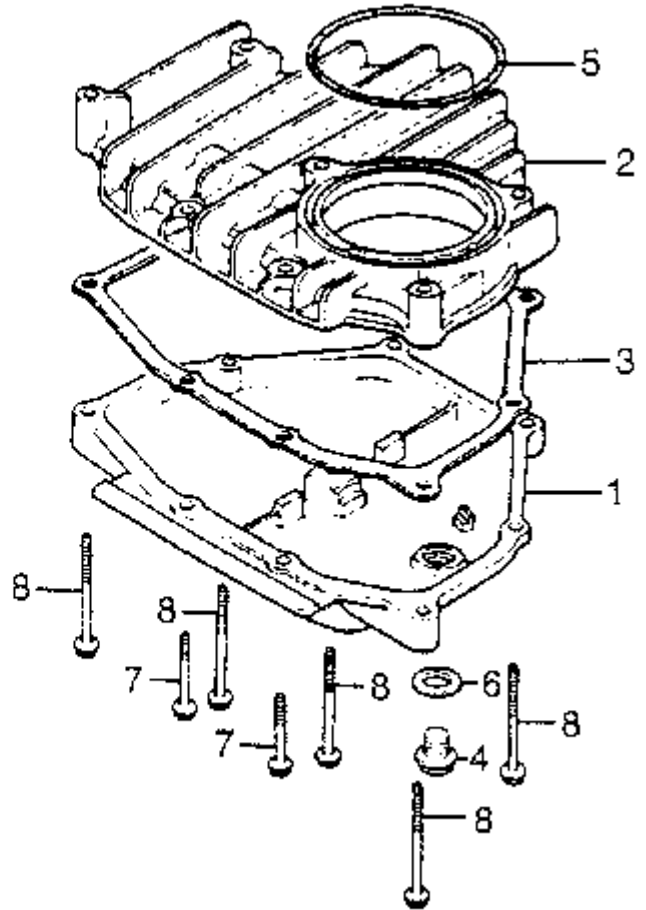
		(replaces 44831-MC7-300)	001
33	WASHER (4.3X12.5)	90101-MC7-611	010
34	WASHER (3.3X12)	90102-MC7-611	003
35	SCREW, FLAT (2.3x8)	90600-MC7-612	
		(replaces 90600-MC7-611)	002
36	SCREW-WASHER (3X14)	90890-MC7-611	009
37	SCREW-WASHER (3X20)	90891-MC7-611	003
38	SCREW-WASHER (4X20)	90892-MC7-611	002
39	O-RING (6.8X1.9)	91306-PJ4-000	
		(replaces 91301-027-000)	
		(replaces 91310-MC7-003)	001
40	SCREW-WASHER (4X8)	93893-04008-00	
		(replaces 93893-04008)	002
41	SCREW, TAP (4X12)	93903-24320	004
42	NUT, HEX. (4MM)	94002-04000-0s	013
43	NUT, FLANGE (6MM)	94050-06000	004
44	WASHER, SPRING (4MM)	94111-04800	013

## Light, Front Combination



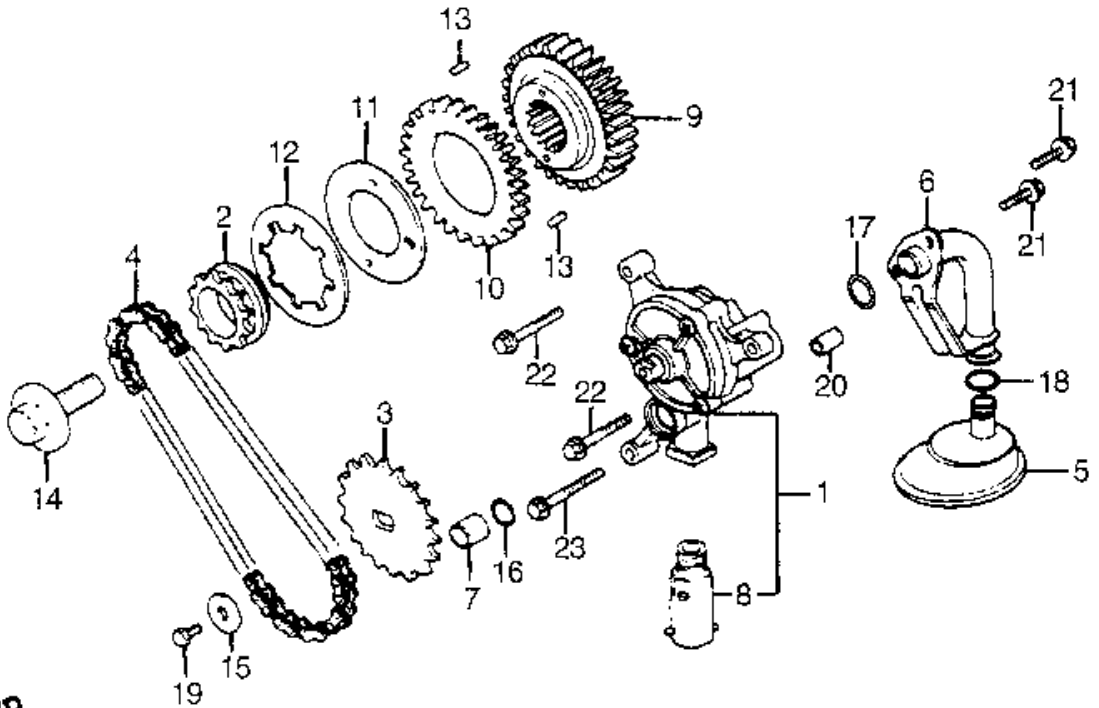
REF#	PART		#REQ
01	LIGHT ASSY., FR.	33100-MC7-672	001
02	HEADLIGHT ASSY.	33101-MC7-671	001
03	LENS, HEADLIGHT	33102-MC7-671	001
04	GASKET, HEADLIGHT	33103-MC7-611	001
05	NUT (6MM)	33109-MC7-611	002
06	HOLDER A	33111-MC7-611	001
07	HOLDER B	33112-MC7-611	001
08	CLIP, LENS HOLDER	33113-MC7-611	004
09	HLDR, HEADLIGHT BULB	33114-MC7-611	001
10	LIGHT, R. POSITION	33160-MC7-601	001
11	LENS, R.	33161-MC7-611	001
12	HOUSING, R.	33162-MC7-601	001
13	GASKET, POSITION	33163-MC7-611	002
14	SOCKET ASSY.	33164-MC7-601	002
15	LIGHT, L. POSITION	33170-MC7-601	001
16	LENS, L.	33171-MC7-611	001
17	HOUSING, L.	33172-MC7-601	001
18	COLLAR, TAILLIGHT	33713-428-610	002
19	COVER, RUBBER	33905-MC7-611	001
20	BULB (12V60/55W)	34901-MC7-601AH	
	(replaces	34901-371-601)	
	(replaces	34901-MC7-601)	001
21	BULB (12V4W) (T8/4)	34903-388-611	002
22	NUT, CLIP (6MM)	64529-MC7-000	002
23	BOLT B, A/CLNR HSG	90114-428-900	002
24	SCREW, TAP (4X10)	93901-34220	006
25	SCREW, TAP (5X20)	93901-35420	010
26	WASHER, PLAIN (5MM)	94101-05800	006
27	BOLT, FLANGE (6X16)	95701-06016-00	
	(replaces	95700-06016-00)	002

## Oil Pan



REF#	PART		#REQ
01	PAN, OIL	11121-MC7-000	001
02	COVER, OIL PAN	11122-MC7-000	001
03	GASKET	11128-MC7-306	
		(replaces 11128-MC7-000)	001
04	BOLT, PLUG (14MM)	90081-MC7-000	001
05	O-RING (76.5X3)	91362-MC7-004	001
06	WASHER, DRAIN (14MM)	94109-14000	001
07	BOLT, FLANGE (6X32)	96001-06032-00	
		(replaces 96000-06032-00)	004
08	BOLT, FLANGE (6X55)	96001-06055-00	
		(replaces 96000-06055-00)	005

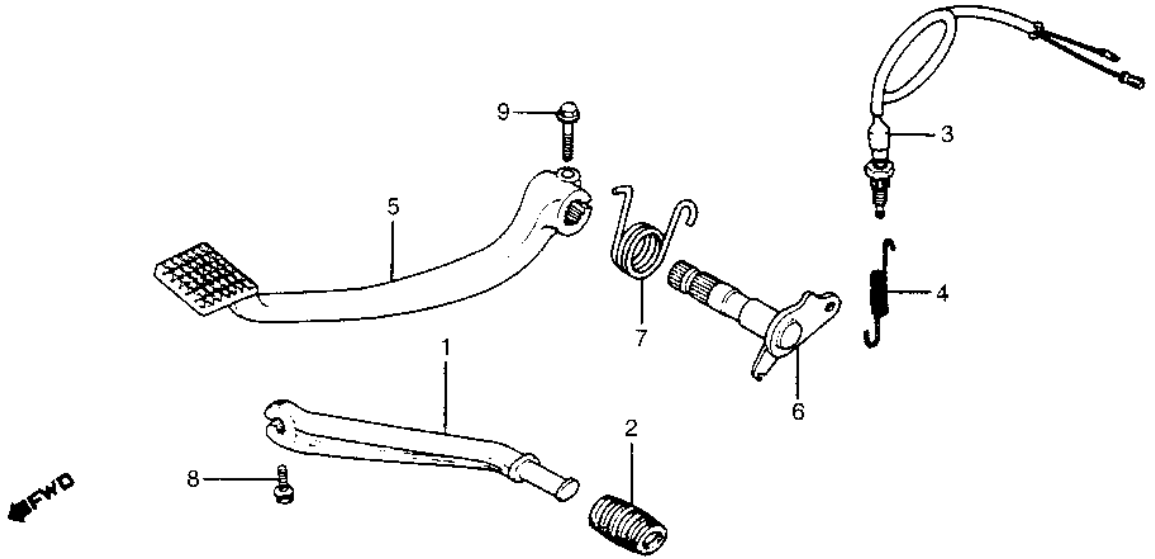
## Oil Pump & Primary Drive Gear



← FWD

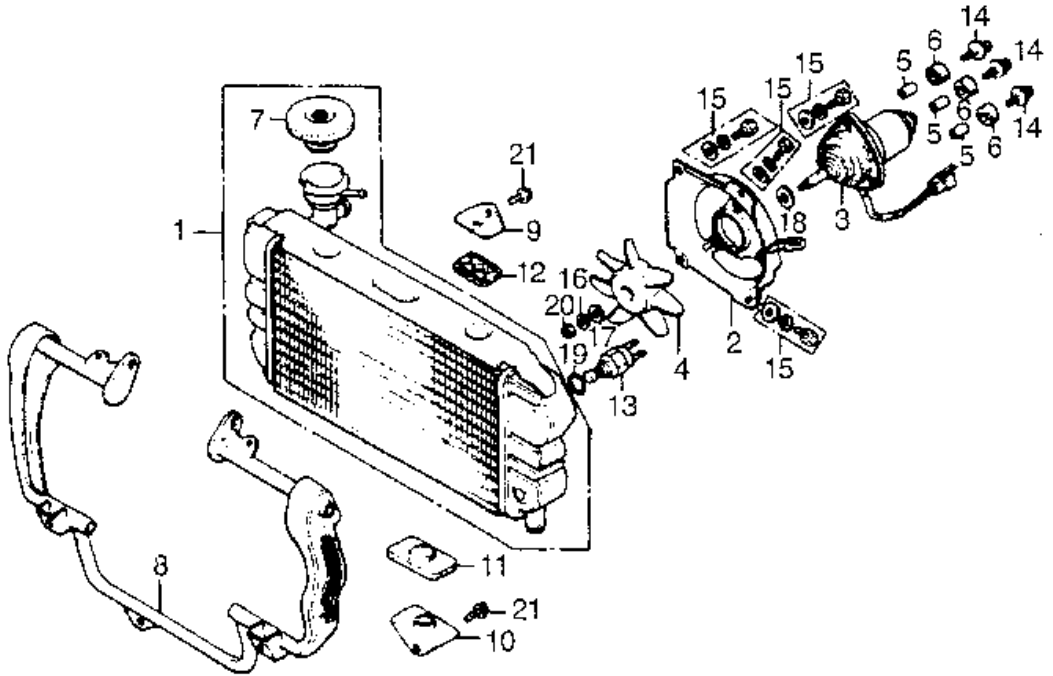
REF#	PART		#REQ
01	PUMP ASSY., OIL	15100-MC7-000	001
02	SPROCKET	15115-MC7-000	001
03	SPROCKET	15116-MC7-000	001
04	CHAIN, OIL PUMP	15140-MC7-000	001
05	BODY, OIL STRAINER	15141-MC7-000	001
06	PIPE, OIL STRAINER	15143-MC7-000	001
07	COLLAR, O-RING	15155-300-000	001
08	VALVE ASSY., RELIEF	15220-415-000	001
09	GEAR (36T)	23121-MC7-000	001
10	SUB-GEAR (35T)	23122-MC7-000	001
11	PLATE, SIDE	23123-415-000	001
12	SPRING, DISK	23124-415-003	001
13	PIN (3X5.2)	30905-216-000	002
14	BOLT, UBS (12X28)	90013-MC7-000	001
15	WASHER	90486-028-000	001
16	O-RING (13.6X2.4)	91301-268-020	001
17	O-RING (15X2.5)	91302-377-000	001
18	O-RING (15.3X3.5)	91363-MC7-004	001
19	BOLT, HEX. (6X8)	92101-06008-0A	
	(replaces	92000-06008)	
	(replaces	92000-06008-0A)	001
20	PIN, DOWEL (8X14)	94301-08140	001
21	BOLT, FLANGE (6X14)	95701-06014-00	
	(replaces	95700-06014-00)	002
22	BOLT, FLANGE (6X25)	95701-06025-00	
	(replaces	95700-06025-00)	002
23	BOLT, FLANGE (6X32)	95701-06032-00	
	(replaces	95700-06032-00)	001

## Pedal, Brake & Shift Pedal



REF#	PART		#REQ
01	PEDAL, GEARSHIFT	24701-MC7-000	001
02	RUB, GEARSHIFT PEDAL	24781-MC7-000	001
03	SWITCH, RR. STOP	35350-415-405	
	(replaces 35350-415-000)		001
04	SPRING, STOP SWITCH	35357-MJ1-000	
	(replaces 35357-MA1-000)		001
05	PEDAL, BRAKE	46500-MC7-000	002
06	SPINDLE, RR. BRAKE	46510-MC7-000	001
07	SPRING, BRAKE PEDAL	46514-MC7-000	001
08	BOLT, FLANGE (6X22)	95701-06022-08	
	(replaces 95700-06022-08)		001
09	BOLT, FLANGE (6X28)	95700-06028-00	001
09	BOLT, FLANGE (6X28)	95701-06028-00	001

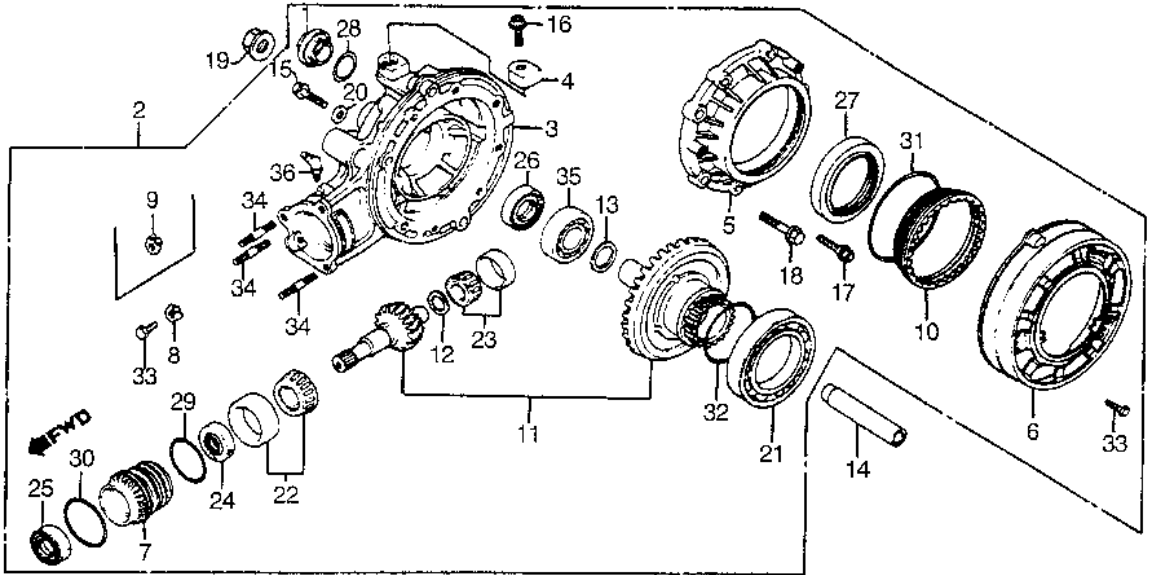
## Radiator & Cooling Fan



**FWD**

REF#	PART	#REQ
01	RADIATOR	19010-MC7-003 001
02	SHROUD	19020-MC7-003 001
03	MOTOR ASSY., FAN	19030-KE8-004 001
04	FAN, COOLING	(replaces 19030-463-003) 19040-MC7-003 001
05	COLLAR	(replaces N949194-0040 19040-611-003) 003
06	RUBBER, BUSHING	19041-611-003 003
07	CAP	(replaces 19045-MG9-003 19045-MC7-003) 001
08	GUARD, RADIATOR	19112-MC7-000 001
09	BRACKET, RADIATOR	19113-MC7-000 002
10	BRACKET, RADIATOR	19114-MC7-000 002
11	STAY, RADIATOR	19115-MC7-000 002
12	STAY, RADIATOR	19116-MC7-000 002
13	SWITCH ASSY., THERMO	37760-MC7-003 001
14	SCREW-WASHER (4x18)	90041-679-003 003
15	BOLT-WASHER (6X10)	90042-463-003 004
16	WASHER, SPRING (5MM)	90401-679-003 001
17	WASHER, PLAIN (5MM)	94103-05800 (replaces 90402-679-003) 001
18	WASHER, SPECIAL	(replaces 90501-671-003 90403-679-003) 001
19	O-RING (13.5X1.4)	(replaces 91307-PH7-660 91307-611-000) 001
20	NUT, HEX. (5MM)	94001-05080-05 001
21	BOLT, FLANGE (6X16)	95701-06016-00 (replaces 95700-06016-00) 004

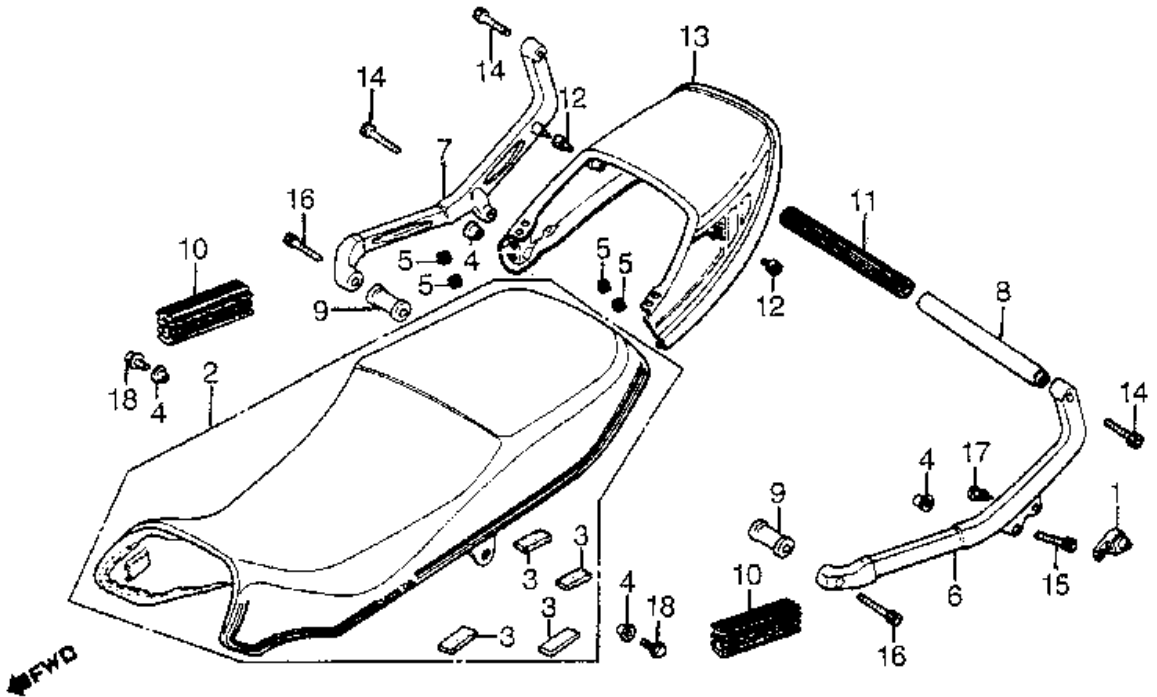
## Rear End



REF#	PART		#REQ
01	CAP, VALVE ADJ.	12361-300-000	
		(replaces 12361-035-000)	
		(replaces 12361-371-980)	
02	GEAR, FINAL DRIVEN	41300-MC7-000	001
03	CASE, FINAL GEAR	41301-MC7-000	001
04	CAP, BREATHER	41306-463-000	001
04	CAP, BREATHER	41306-MC7-000	001
05	COVER, L. GEAR CASE	41321-MC7-000	001
06	PLATE, DUST GUARD	41324-415-000	001
06	PLATE, DUST GUARD	41324-MC7-000	001
07	RETAINER B, BEARING	41331-MC7-000	001
08	LOCK A, BEARING ADJ.	41332-MC7-000	001
09	LOCK B, BEARING ADJ.	41333-MC7-000	001
10	RETAINER A, BEARING	41351-371-000	001
11	GEAR SET	41310-MC7-305	
		(replaces 414A3-MC7-000)	001
12	SHIM A (1.10)	41450-415-000	001
12	SHIM B (1.14)	41451-415-000	001
12	SHIM C (1.18)	41452-415-000	001
12	SHIM D (1.22)	41453-415-000	001
12	SHIM E (1.26)	41454-415-000	001
12	SHIM F (1.30)	41455-415-000	001
12	SHIM G (1.34)	41456-415-000	001
12	SHIM H (1.38)	41457-415-000	001
12	SHIM I (1.42)	41458-415-000	001
12	SHIM J (1.46)	41459-415-000	001
12	SHIM K (1.50)	41460-415-000	001
12	SHIM L (1.54)	41461-415-000	001
12	SHIM M (1.58)	41462-415-000	001
12	SHIM N (1.62)	41463-415-000	001
12	SHIM O (1.66)	41464-415-000	001
12	SHIM P (1.70)	41465-415-000	001
12	SHIM Q (1.74)	41466-415-000	001
12	SHIM R (1.78)	41467-415-000	001
12	SHIM S (1.82)	41468-415-000	001
12	SHIM T (1.86)	41469-415-000	001
12	SHIM U (1.90)	41470-415-000	001

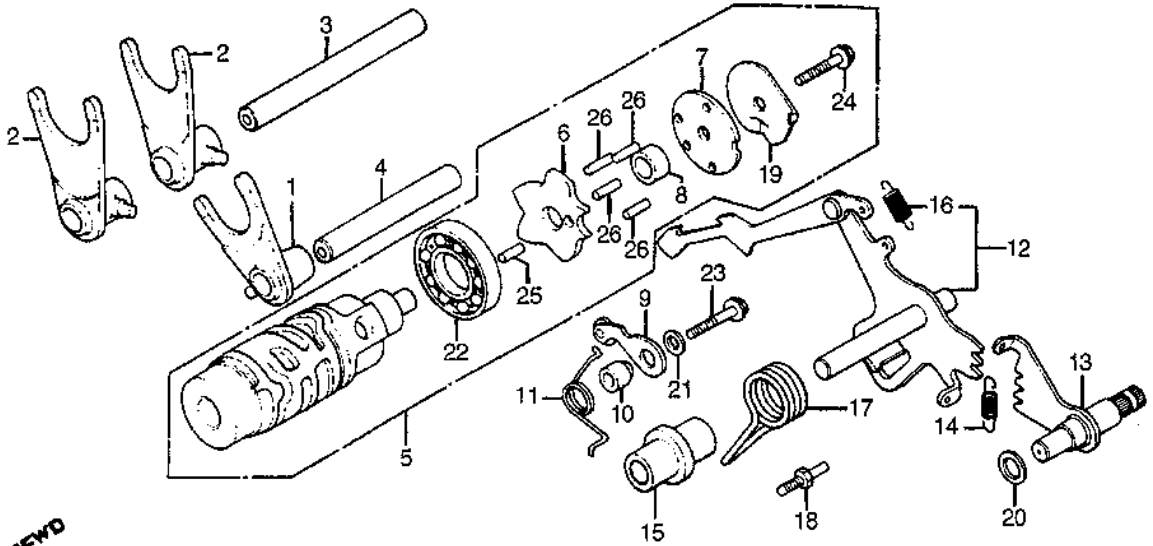
13	SHIM A (1.80)	41510-415-000	001
13	SHIM B (1.84)	41511-415-000	001
13	SHIM C (1.88)	41512-415-000	001
13	SHIM D (1.92)	41513-415-000	001
13	SHIM E (1.96)	41514-415-000	001
13	SHIM F (2.00)	41515-415-000	001
13	SHIM G (2.04)	41516-415-000	001
13	SHIM H (2.08)	41517-415-000	001
13	SHIM I (2.12)	41518-415-000	001
13	SHIM J (2.16)	41519-415-000	001
13	SHIM K (2.20)	41520-415-000	001
13	SHIM L (2.24)	41521-415-000	001
13	SHIM M (2.28)	41522-415-000	001
13	SHIM N (2.32)	41523-415-000	001
14	COLLAR, RR.	42623-MC7-000	001
15	BOLT, SEALING (8MM)	90109-371-000	001
16	BOLT, BREATHER	90126-415-000	001
16	BOLT, BREATHER	90126-MC7-000	001
17	BOLT, FLANGE (8X32)	90133-371-000	006
18	BOLT, FLANGE (10X38)	90134-371-000	002
19	NUT, RR. (16MM)	90305-MC0-003	001
20	GASKET (8MM)	90471-580-000	001
21	BEARING (6914)	91051-371-004	
		(replaces 91051-371-003)	
		(replaces 91051-371-005)	001
22	BEARING (30206C)	91061-463-004	001
22	BEARING (30206C)	91061-463-008	001
23	BEARING (30203)	91121-PH8-961	
		(replaces 91062-415-013)	001
24	OIL SEAL (30X51X10)	91261-463-013	001
25	OIL SEAL (33X43X7)	91262-415-003	001
26	OIL SEAL (30X47X7)	91264-415-003	001
27	OIL SEAL (70X90X8)	91265-371-003	001
28	O-RING (30.8MM)	91302-001-020	001
29	O-RING (57X4.3)	91353-463-005	001
30	O-RING (60.5X2.4)	91354-463-003	001
31	O-RING (96.5X2.0)	91355-371-003	001
32	O-RING (62.7X4)	91356-415-003	001
33	BOLT, HEX. (6X12)	92101-06012-0A	
		(replaces 92000-06012)	004
		(replaces 92101-06012)	004
34	BOLT, STUD (10X55)	92700-10055-0E	003
35	BEARING (6006)	96100-60063-00	001
36	FITTING (B.76S)	96201-80000	001

## Seat &amp; Rear Cowl



REF#	PART		#REQ
01	HOLDER ASSY., HELMET	50710-MC7-003	001
02	SEAT, DOUBLE	77200-ME7-405	
		(replaces 77200-MC7-000)	
		(replaces 77200-ME7-000)	001
03	RUBBER, SEAT SETTING	77204-312-000	004
04	COLLAR, TOOL BOX	83515-428-000	004
05	GROMMET, A/CLNR HSG	83551-240-300	004
06	GRIP, L. RR.	83601-MC7-000	001
07	GRIP, R. RR.	83602-MC7-000	001
08	GRIP, RR. CROSS	83603-MC7-000	001
09	COLLAR, GRIP SIDE	83604-MC7-000	002
10	RUBBER A, GRIP	83605-MC7-000	002
11	RUBBER B, RR. GRIP	83606-MC7-000	001
12	CAP, RR. GRIP COWL	83607-MC7-000	002
13	COWL SUB *NH113PA*	83910-MC7-000ZA	001
14	BOLT, SOCKET (8MM)	90116-125-782	003
15	BOLT, SOCKET	0116-355-000	001
16	BOLT, SOCKET (8X61)	90166-MC7-000	002
17	SCREW-WASHER (6X16)	93891-06016-00	001
18	BOLT, FLANGE (8X16)	95700-08016-00	002
18	BOLT, FLANGE (8X16)	95701-08016-00	002

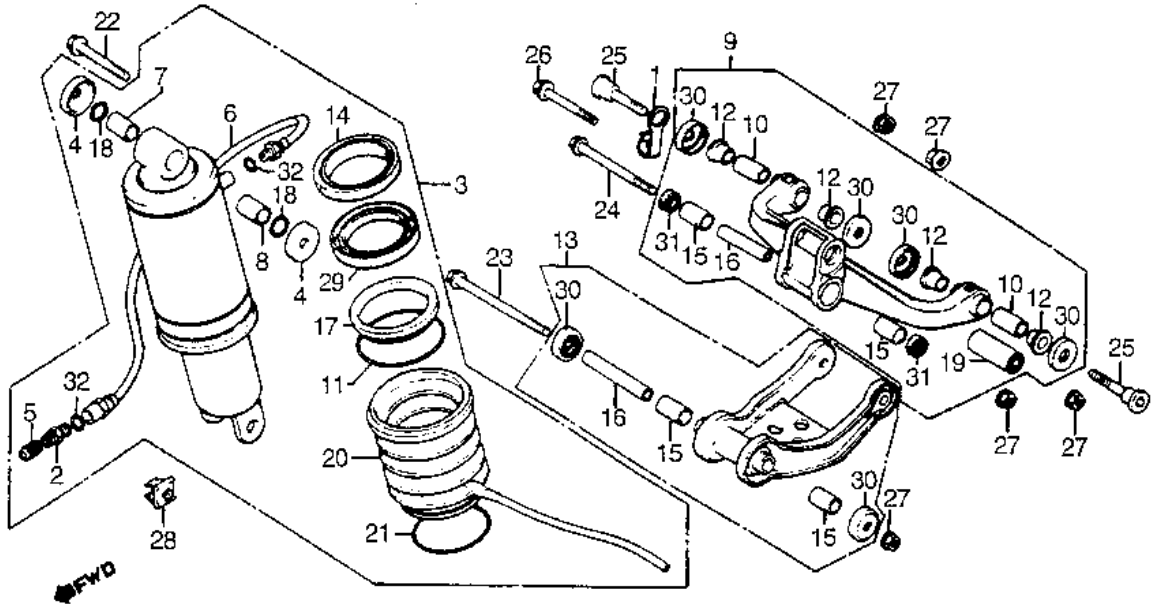
## Shift Drum & Shift Fork



← FWD

REF#	PART		#REQ
01	FORK	24216-MC7-000	001
02	FORK	24221-MC7-000	002
03	SHAFT A	24241-MC7-000	001
04	SHAFT B	24242-MC7-000	001
05	DRUM, GEARSHIFT	24300-MC7-000	001
06	PLATE, DRUM CAM	24303-MC7-000	001
07	PLATE, DRUM CENTER	24304-415-000	001
08	COLLAR, DRUM CENTER	24305-415-000	001
09	STOPPER	24430-413-000	001
10	COLLAR	24432-413-000	001
11	SPRING, DRUM STOPPER	24435-415-000	001
12	ARM, GEARSHIFT	24610-415-000	001
13	SPINDLE, GEARSHIFT	24620-MC7-010	
	(replaces	24620-MC7-000)	001
14	SPRING, GEARSHIFT	24623-415-000	001
15	COLR, GEARSHIFT ARM	24624-415-000	001
16	SPRING	24641-216-000	001
17	SPRING	24651-333-000	001
18	PIN	24652-259-000	001
19	PLATE, POINT	35753-415-000	001
20	WASHER (12MM)	90451-708-000	001
21	WASHER	90486-028-000	001
22	BEARING (16005)	91008-374-003	001
23	BOLT, FLANGE (6X25)	95701-06025-00	
	(replaces	95700-06025-00)	001
24	BOLT, FLANGE (6X25)	95725-06025-00	001
25	ROLLER (4X11.8)	96220-40118	001
26	ROLLER (4X14)	96220-40140	004

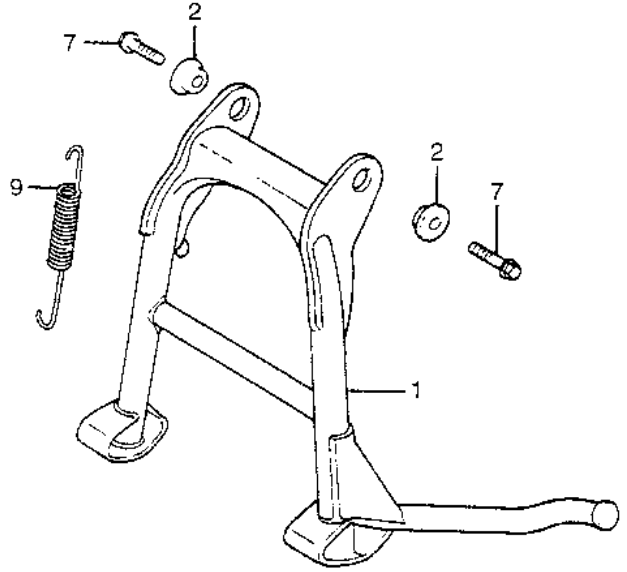
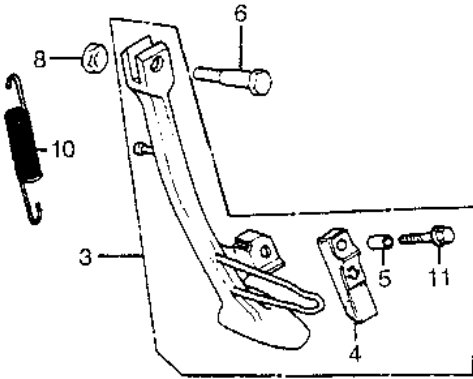
## Shock Absorber & Rear Suspension



REF#	PART		#REQ
01	CLAMP, OIL HOSE	45156-MC7-000	001
02	VALVE, AIR	51456-469-013	001
03	SHOCK ABSORBER, RR.	52400-MC7-023	
	(replaces	52400-MC7-003)	001
	(replaces	52400-MC7-013)	001
04	CAP	52406-MA1-611	002
04	CAP	52406-MC7-003	002
05	CAP, AIR VALVE	52425-169-003	001
06	HOSE, RR. SHOCK	52432-MA1-003	001
07	METAL, BUSH	52452-MA1-611	001
07	METAL, BUSH	52452-MA1-731	001
08	COLLAR, BUSH	52453-MA1-731	001
09	ARM, SHOCK ABSORBER	52460-MC7-000	001
10	COLLAR	52462-MA2-000	002
11	RING B, STOPPER	52463-MC7-013	
	(replaces	52463-MC7-003)	001
12	BUSH, CONNECTING ROD	52465-MC7-300	004
13	ROD ASSY.	52470-MA1-010	001
13	ROD ASSY.	52470-MC7-000	001
14	CASE, GUIDE	52472-MC7-003	001
15	BUSH	52474-MA1-003	004
16	COLLAR, CONN ROD	52475-MA1-000	002
17	RING, BACK-UP	52477-MC7-013	
	(replaces	52477-MC7-003)	001
18	O-RING (14.5X1.5)	52478-MC7-003	002
18	O-RING (14.5X1.5)	91312-PC9-004	002
19	BUSH, SHOCK ABSORBER	52485-MA2-003	001
20	BOOT, RR. DAMPER	52611-MC7-003	001
21	BAND, BOOT	52612-MA2-003	001
22	BOLT, FLANGE (10X65)	90101-KBS-900	
	(replaces	90152-MA1-000)	001
23	BOLT, FLG (10X100)	90108-MR8-000	
	(replaces	90153-MA1-000)	001
24	BOLT, FLANGE (10X95)	90154-KW7-870	
	(replaces	90154-MA1-000)	001
	(replaces	90187-MG7-003)	001

25	BOLT, CUSHION ARM	90186-MC7-000	002
26	BOLT D, FLANGE	90189-MA2-000	001
27	NUT, AXLE (10MM)	90304-GA6-003	005
28	CLIP, HOSE	90662-MA1-003	001
29	OIL SEAL	91257-MC7-003	001
30	SEAL, RR.	91262-MA0-015	
		(replaces 91262-MA0-013)	006
31	DUST SEAL	91262-MB2-005	
		(replaces 91262-MA1-005)	002
32	O-RING (5.8X1.9)	91305-323-000	
		(replaces 91301-469-003)	002
32	O-RING (5.6X1.9)	91318-ME5-003	002

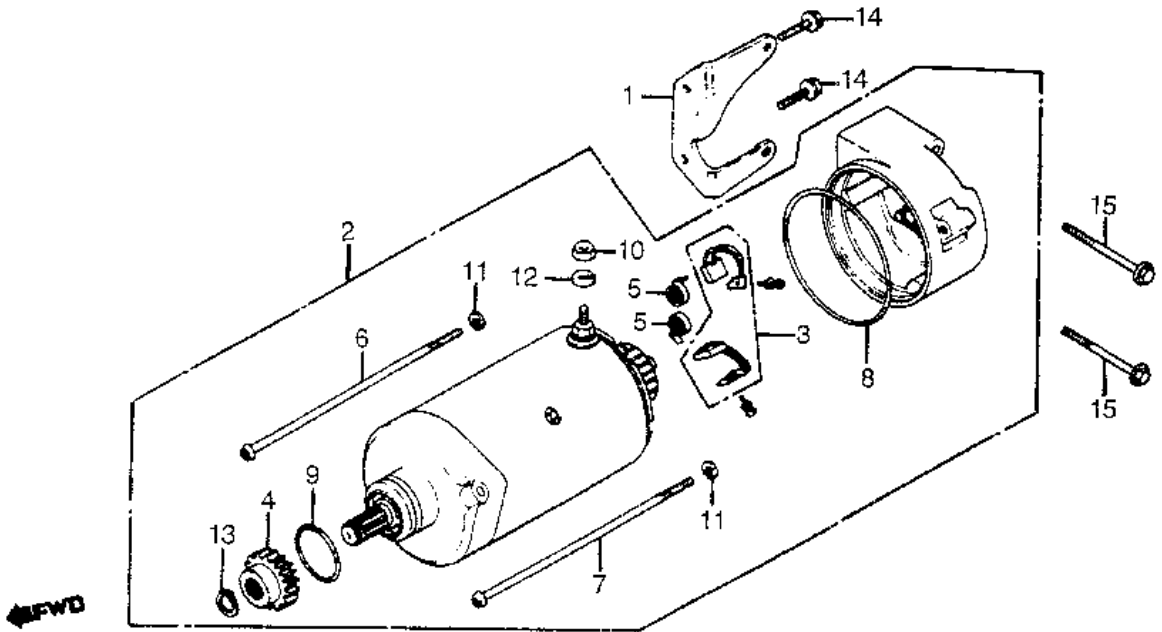
## Stand, Center & Side Stand



**FWD**

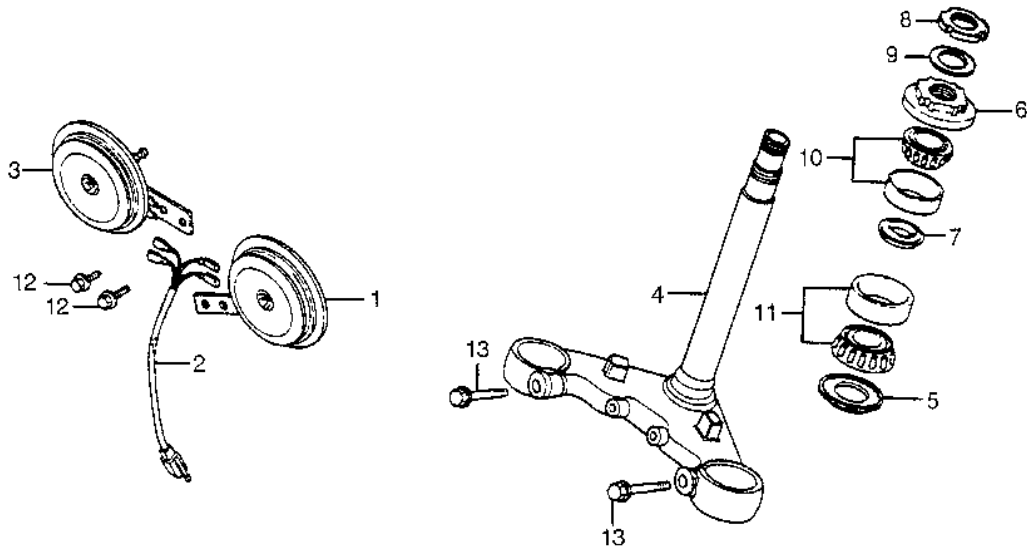
REF#	PART	#REQ
01	STAND, MAIN	001
02	COLLAR, MAIN STAND	002
03	STAND ASSY., SIDE	001
04	RUBBER, STAND	001
05	COLLAR	001
06	BOLT	001
07	BOLT, FLANGE (10X25)	001
	(replaces 95701-10025-08)	
	(replaces 95800-10025-08)	
	(replaces 95801-10025-08)	002
08	NUT, HEX. (10MM)	001
09	SPRING J, MAIN STAND	001
10	SPRING D, SIDE STAND	001
11	BOLT, FLANGE (6X28)	001
11	BOLT, FLANGE (6X28)	001

## Starter Motor



REF#	PART		#REQ
01	STAY, STARTER MOTOR	11312-MC7-000	001
02	MOTOR ASSY., STARTER	31200-449-405	
	(replaces	31200-449-008)	001
03	BRUSH SET, CARBON	31201-292-158	001
04	GEAR (27T)	31201-415-000	001
05	SPRING, CARBON BRUSH	31204-292-158	002
06	BOLT, START MTR CVR	31205-413-780	001
07	BOLT, START MTR CVR	31205-413-780	
	(replaces	31205-449-008)	001
08	O-RING (60X1.4)	31206-402-008	
	(replaces	31206-415-000)	001
09	O-RING (24.4X3.1)	91312-MG7-003	
	(replaces	91309-300-000)	
	(replaces	91309-425-003)	001
10	NUT, HEX. (6MM)	94002-06000-0S	
	(replaces	94002-06000)	002
11	WASHER, SPRING (5MM)	94111-05000	002
12	WASHER, SPRING (6MM)	94111-06000	002
13	CIRCLIP (11MM)	94510-11000	001
14	BOLT, FLANGE (6X18)	96001-06018-00	
	(replaces	96000-06018-00)	002
15	BOLT, FLANGE (6X35)	96001-06035-00	
	(replaces	96000-06035-00)	002

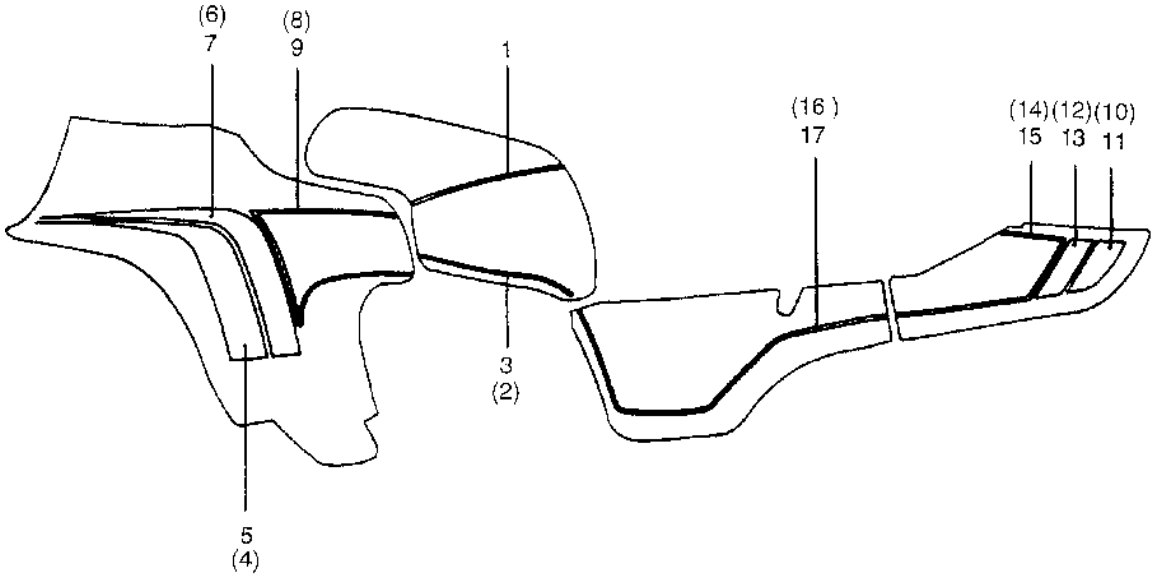
# Steering Stem & Horns



← FWD

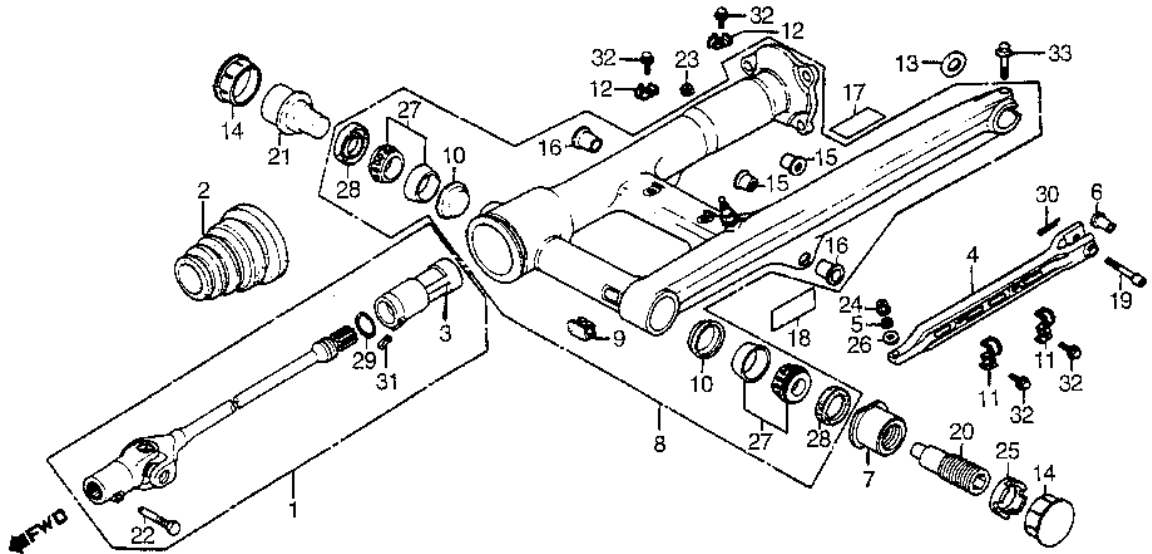
REF#	PART		#REQ
01	HORN (HIGH)	38110-GT8-621	001
01	HORN (HIGH)	38110-MC7-611	
		(replaces 38110-MC7-671)	001
02	CABLE A, HORN SUB	38111-MC7-008	
		(replaces 38111-MC7-000)	001
03	HORN (LOW)	38120-MC7-671	001
04	STEM, STEERING	53200-MC7-000	001
05	DUST SEAL	53214-371-010	001
06	THREAD (UPPER)	53220-422-000	001
07	HOLDER, GREASE	53223-371-010	
		(replaces 53223-371-000)	001
08	THREAD	90302-425-830	001
09	WASHER, LOCK	90506-425-830	001
10	BEARING, HEAD PIPE	91015-425-832	001
11	BEARING, HEAD PIPE	91016-371-000	001
12	BOLT, FLANGE (6X10)	95701-06010-07	
		(replaces 95700-06010-07)	002
13	BOLT, FLANGE (10X35)	95701-10035-07	
		(replaces 95700-10035-07)	002

## Stripes



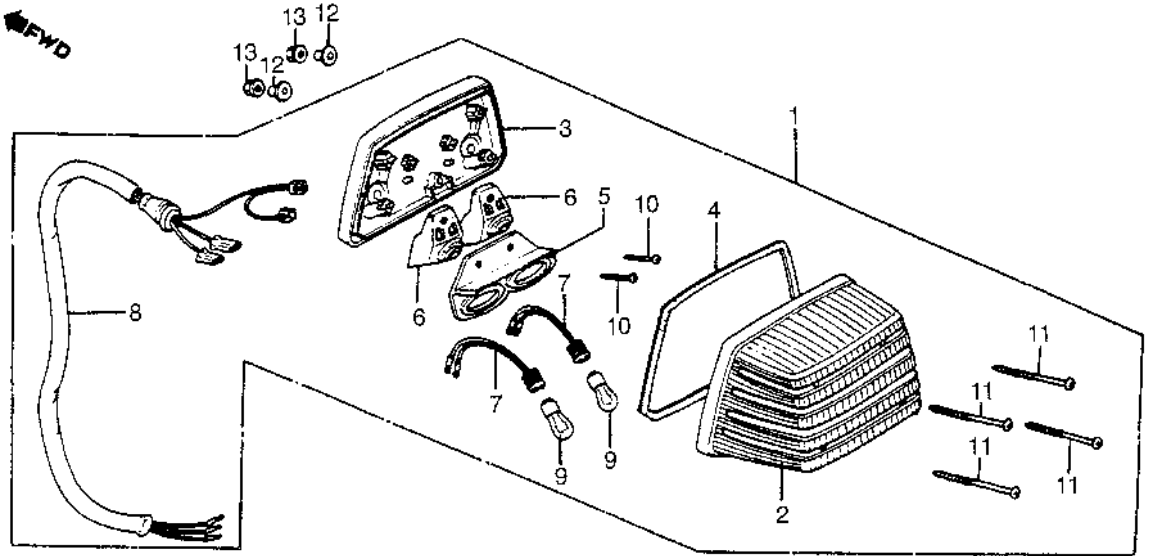
REF#	PART		#REQ
01	STRIPE, FUEL TANK	17507-MC7-300	001
02	STRIPE, R.	17508-MC7-300	001
03	STRIPE, L.	17509-MC7-300	001
04	STRIPE A, R.	64281-MC7-300	001
05	STRIPE A, L.	64282-MC7-300	001
06	STRIPE B, R.	64283-MC7-300	001
07	STRIPE B, L.	64284-MC7-300	001
08	STRIPE C, R.	64285-MC7-300	001
09	STRIPE C, L.	64286-MC7-300	001
10	STRIPE A, R. RR.	83804-MC7-300	001
11	STRIPE A, L. RR.	83805-MC7-300	001
12	STRIPE B, R. RR.	83806-MC7-300	001
13	STRIPE B, L. RR.	83807-MC7-300	001
14	STRIPE C, R. RR.	83808-MC7-300	001
15	STRIPE C, L. RR.	83809-MC7-300	001
16	STRIPE, R.	87128-MC7-300	001
17	STRIPE, L.	87129-MC7-300	001

## Swingarm



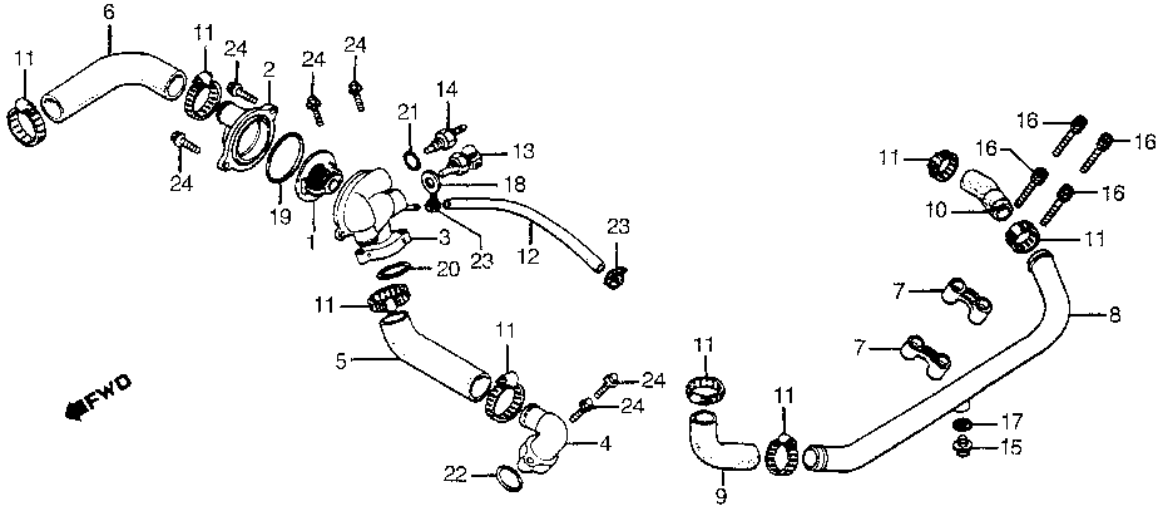
REF#	PART		#REQ
01	SHAFT, DRIVE	40200-MC7-000	001
02	BOOT, JOINT	40207-MC7-000	001
03	JOINT, DRIVESHAFT	40210-415-010	
		(replaces 40210-415-000)	001
04	ARM, RR.	43431-MC7-000	001
05	RUBBER	43434-286-000	001
06	COLLAR, LINK	43435-MC7-000	001
07	NUT, SWINGARM PIVOT	50197-MA1-300	001
08	SWINGARM ASSY., RR.	52110-MC7-000	001
09	CAP, RR.	52111-MC7-000	001
10	HOLDER, RR.	52112-MA1-300	002
11	CLAMP A, RR.	52114-MC7-000	002
12	CLAMP B, RR.	52115-MC7-000	002
13	WASHER (1.7MM)	52116-MC7-000	001
14	CAP, RR. SWINGARM	52117-MC7-000	002
15	NUT, COLLAR	52468-MC7-300	002
16	COLLAR, RR. SWINGARM	52469-MC7-000	002
17	LABEL	87504-028-670	001
18	LABEL, TIRE CAUTION	87505-MC7-670	001
19	BOLT, RR.	90120-MC7-000	001
20	BOLT, PIVOT	90121-MA1-000	001
21	BOLT, R. RR.	90121-MC7-000	001
22	BOLT, SPECIAL (8MM)	90127-415-000	001
23	NUT, HEX. (10MM)	90308-357-000	003
24	NUT, FLANGE (8MM)	90309-428-731	001
25	NUT, RR. SWINGARM	90355-469-000	001
26	WASHER A	90524-030-000	001
27	BEARING (30203J)	91066-MC7-004	
		(replaces 91066-MC7-003)	002
28	DUST SEAL (26X40X5)	91268-463-003	002
29	O-RING (22X1.7)	91359-415-300	001
30	PIN, SPLIT (2.0X15)	94201-20150	001
31	PIN, SPRING (4X22)	94305-40222	001
32	BOLT, FLANGE (6X10)	95701-06010-00	
		(replaces 95700-06010-00)	004
33	BOLT, FLANGE (8X32)	95701-08032-00	
		(replaces 95700-08032-00)	001

# Tail Light



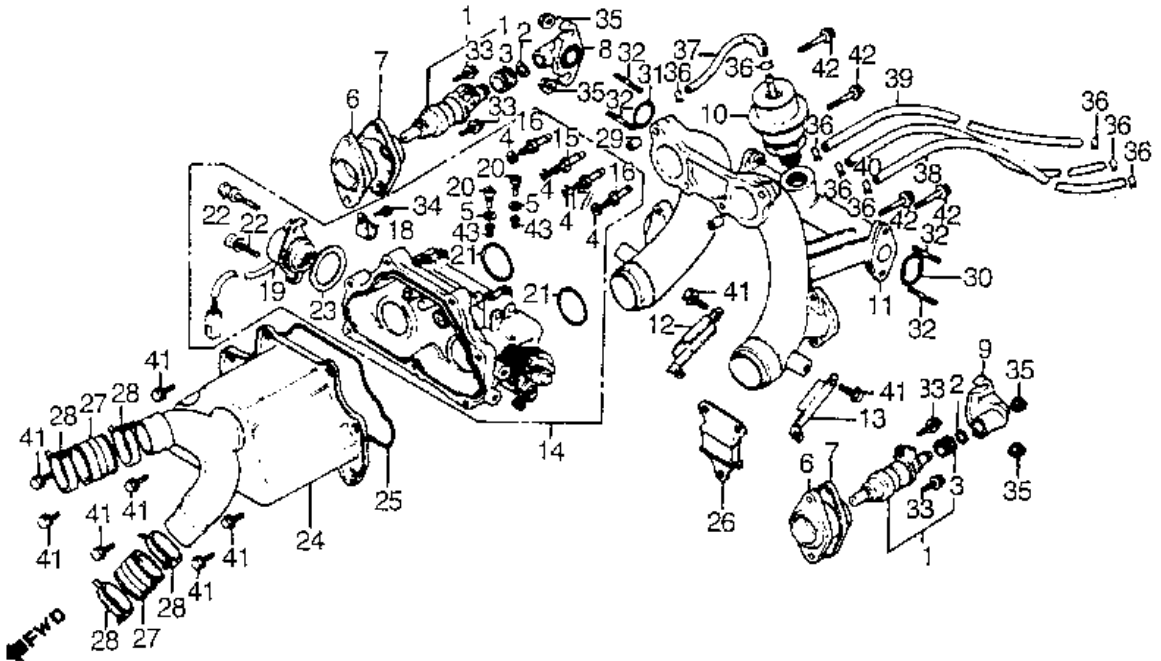
REF#	PART		#REQ
01	TAILLIGHT UNIT	33701-MC7-671	001
02	LENS, TAILLIGHT	33702-MC7-671	001
03	BASE, TAILLIGHT	33703-MC7-611	001
04	GSKT, TAILLIGHT LENS	33704-MC7-671	001
05	STAY	33705-MC7-671	001
06	SOCKET	33706-MC7-611	002
07	WIRE, TAILLIGHT	33705-147-671	
		(replaces 33707-MC7-611)	002
08	CABLE, SUB	33708-MC7-611	001
09	BULB (12V27/8W)	34906-425-771	002
10	SCREW, TAP (4X14)	90105-ME5-671	
		(replaces 90104-MC7-611)	002
11	SCREW, TAP (4X40)	90105-KB4-003	004
12	COLLAR	90522-170-700	002
13	NUT, FLANGE (6MM)	94050-06080	002

## Thermostat & Cooling Pipes & Hoses



REF#	PART		#REQ
01	SET, THERMOSTAT	19320-679-F00	
		(replaces 19300-679-003)	
		(replaces 19320-679-000)	001
02	COVER, THERMOSTAT	19315-MC7-000	001
03	CASE, THERMOSTAT	19411-MC7-000	001
04	JOINT, WATER	19421-MC7-000	001
05	HOSE A, WATER	19501-MC7-000	001
06	HOSE B, WATER	19502-MC7-000	001
07	CLAMP, WATER PIPE	19503-MC7-000	002
08	PIPE, RR. WATER	19504-MC7-000	001
09	HOSE C, WATER	19506-MC7-000	001
10	HOSE D, WATER	19507-MC7-000	001
11	BAND, WATER HOSE	19514-MC7-000	008
12	TUBE (5X290)	19521-MC7-000	001
13	SENSOR, COOLANT TEMP	36151-MC7-003	001
14	SENDING UNIT	37750-611-154	001
15	BOLT, SEALING (12MM)	90017-MC7-000	001
16	BOLT, SPECIAL (5X22)	90089-415-000	004
17	WASHER, DRAIN (12MM)	94109-12000	
		(replaces 90407-231-000)	001
17	GASKET (12.5X20)	90407-259-000	001
18	WASHER (12MM)	90454-MC7-000	001
19	O-RING (53.8X3.1)	91302-657-000	001
20	O-RING	91303-MC7-003	
		(replaces 91303-MC7-004)	001
21	O-RING (13.5X1.4)	91307-PH7-660	
		(replaces 91307-611-000)	001
22	O-RING (23X2.8)	94608-50000	001
23	CLIP, TUBE (D10.5)	95002-41050-08	002
24	BOLT, FLANGE (6X25)	95701-06025-00	
		(replaces 95700-06025-00)	006

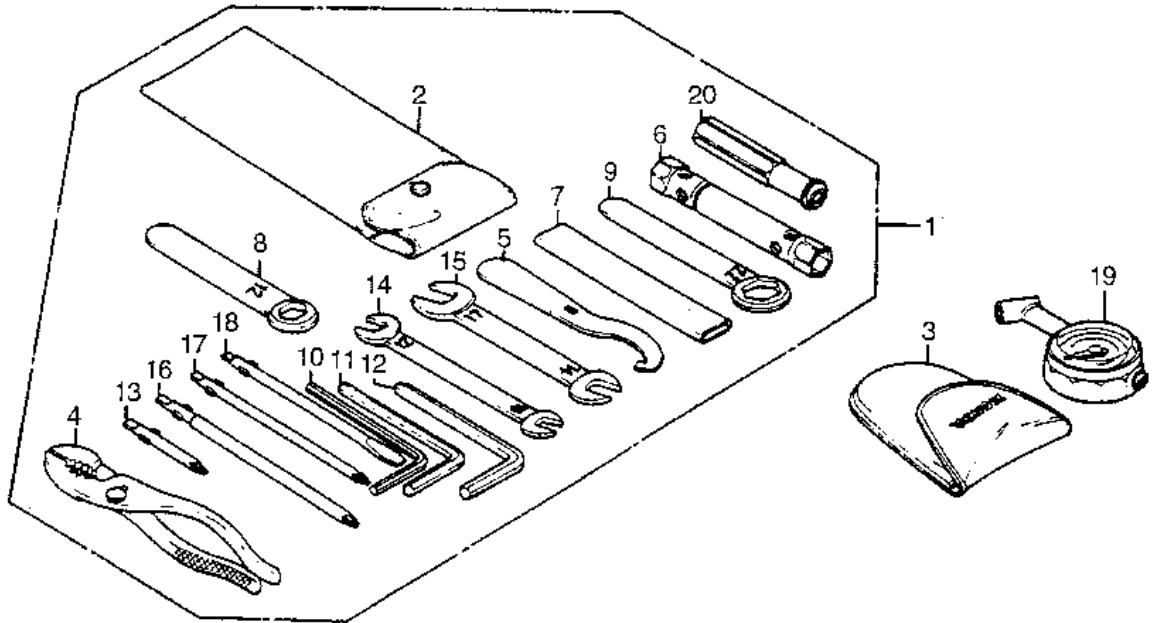
## Throttle Body & Intake Manifold



REF#	PART		#REQ
01	INJECTOR ASSY., FUEL	16110-MC7-003	002
02	O-RING (7.8X1.7)	16111-MC7-004	002
03	GROMMET	16112-MC7-003	002
04	WASHER	16170-300-004	004
05	WASHER, FIBER	16189-056-004	004
06	FLANGE, HOLDER	16220-MC7-003	002
07	COVER, HOLDER	16221-MC7-000	002
08	CAP, R. INJECTOR	16312-MC7-000	001
09	CAP, L. INJECTOR	16313-MC7-000	001
10	REGULATOR, PRESSURE	16850-MC7-003	001
11	MANIFOLD, IN.	17110-MC7-000	001
12	MOUNT, R.	17123-MC7-000	001
13	MOUNT, L.	17124-MC7-000	001
14	BODY, THROTTLE	17130-MC7-671	001
15	JOINT, PIGN SENSOR	17131-MC7-003	001
16	JOINT, PB SENSOR	17132-MC7-003	002
17	JOINT, SENSOR (P2)	17133-MC7-003	001
18	CLIP	17134-MC7-003	001
19	SENSOR, THROTTLE	17135-MC7-671	001
20	SCREW, PLUG	17145-MC7-003	004
21	O-RING (38.8X2.4)	17146-MC7-003	002
22	BOLT (6X16)	17147-MC7-003	002
23	GASKET, SENSOR	17149-MC7-003	001
23	GASKET, SENSOR	17149-PH3-005	001
24	PRE CHAMBER	17150-MC7-000	001
25	O-RING, CHAMBER	17152-MC7-003	001
26	RUB, CHAMBER SETTING	17161-MC7-000	001
27	TUBE	17171-MC7-003	002
28	BAND, RESONATOR TUBE	17172-MC7-003	004
29	PIN, DOWEL (8X10)	91103-429-000	002
30	O-RING, SPECIAL	91256-MC7-003	
	(replaces	91256-MC7-004)	001
31	O-RING (16.8X2.4)	91256-166-003	001
32	BOLT, STUD (6X28)	92700-06028-0B	004
33	SCREW, PAN (5X18)	93500-05018-0A	004

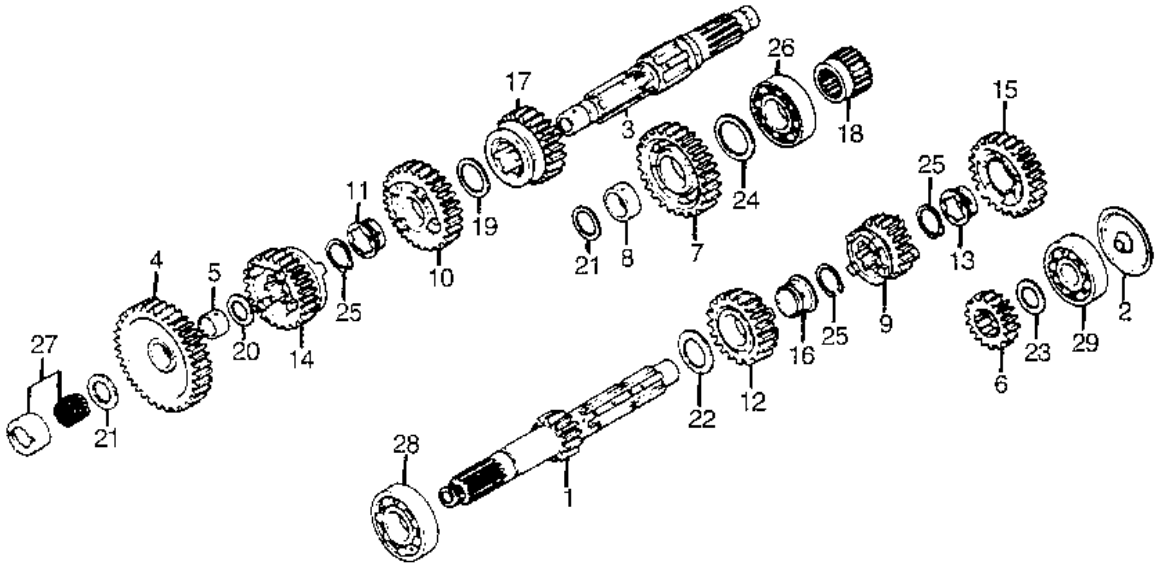
34	SCREW-WASHER (5X12)	93892-05012-08	001
35	NUT, FLANGE (6MM)	94050-06080	004
36	CLIP, TUBE (B7)	95002-02070	008
37	BULK HOSE (3.5X1000)	95005-35001-20M	001
38	BULK HOSE (3.5X8000)	95005-35008-10M	001
39	BULK HOSE (3.5X8000)	95005-35008-10M	001
40	BULK HOSE (3.5X8000)	95005-35008-10M	001
41	BOLT, FLANGE (6X14)	96001-06014-00	
	(replaces	96000-06014-00)	011
42	BOLT, FLANGE (6X35)	96001-06035-00	
	(replaces	96000-06035-00)	004
43	JET,# 70	99102-GHB-0700	
	(replaces	99101-116-0700)	004

## Tools



REF#	PART		#REQ
01	TOOL SET	89010-MC7-000	001
02	TOOL BAG	89101-MC7-000	001
02	BAG, TOOL	89101-ME5-670	001
03	BAG, AIR PRES GA	89102-469-003	001
04	PLIERS (150)	89210-422-000	001
05	WRENCH, PIN	89215-422-000	001
06	WRENCH (18.5X17)	89216-415-000	001
06	WRENCH (18.5X17)	89216-MC7-000	001
07	HANDLE (120MM)	89217-422-000	001
08	WRENCH, EYE (12)	89218-MC7-000	001
09	WRENCH, EYE (22MM)	89218-422-000	001
10	WRENCH, HEX. (6MM)	89221-422-000	001
11	WRENCH, HEX. (8MM)	89222-422-000	001
12	WRENCH, HEX. (10MM)	89223-MC7-000	001
13	SCREWDRIVER 4	89224-MC7-000	001
14	SPANNER (10X12)	89225-422-000	001
15	WRENCH (14X17)	89226-422-000	001
16	SCREWDRIVER 1	89227-MC7-000	001
17	SCREWDRIVER 3	89228-422-000	001
18	SCREWDRIVER 2	89229-422-000	001
19	GAUGE, AIR PRESSURE	89301-MN5-003	001
	(replaces	89301-463-771)	001
20	GRIP	99003-50000	001

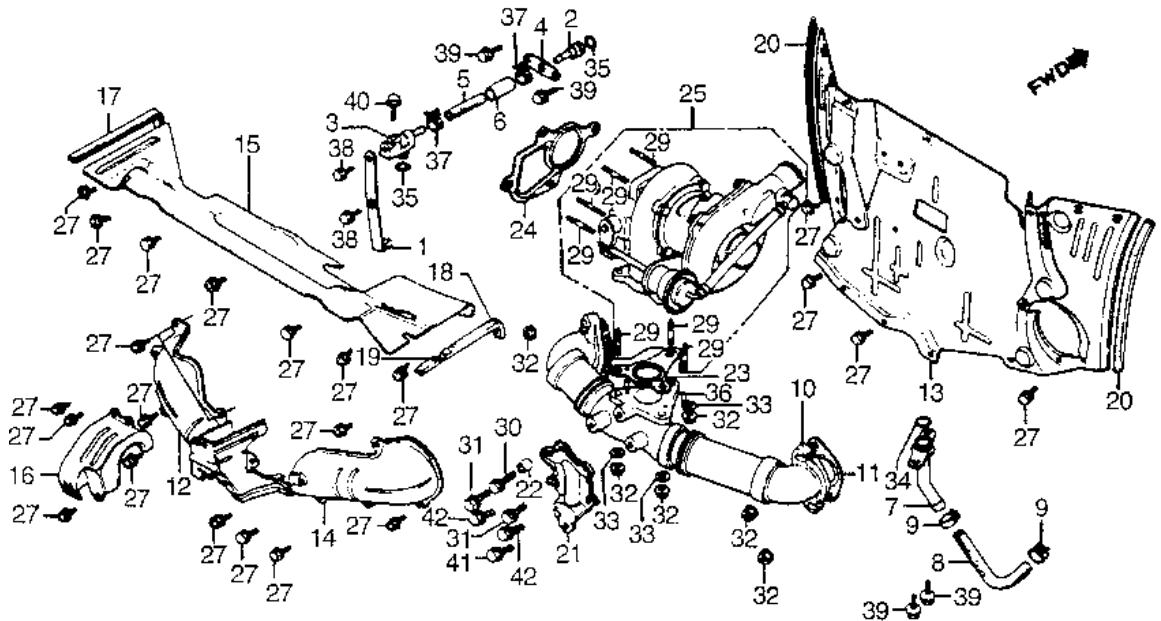
## Transmission



REF#	PART		#REQ
01	MAINSHAFT (16T)	23211-ME2-000	
		(replaces 23211-MC7-000)	001
02	PLATE, OIL GUIDE	23219-415-000	001
03	COUNTERSHAFT, TRANS	23220-ME2-000	
		(replaces 23220-MC7-000)	001
04	GEAR (40T)	23421-ME2-000	
		(replaces 23421-MC7-000)	001
05	BUSH (20X24X11)	23422-MC7-000	001
06	GEAR (21T)	23431-MC7-000	001
07	GEAR (36T)	23441-MC7-000	001
08	BUSH (27.5X31X11.5)	23442-MC7-000	001
09	GEAR (25T)	23451-MC7-000	001
10	GEAR (32T)	23461-MC7-000	001
11	BUSH (25X29X11.5)	23462-MC7-000	001
12	GEAR (28T)	23471-MC7-000	001
13	BUSH, SPLINE	23472-MC7-000	001
14	GEAR (28T)	23481-MC7-000	001
15	GEAR (30T)	23491-MC7-670	001
16	BUSH (25X29X15)	23492-MC7-000	001
17	GEAR (26T)	23501-MC7-000	001
18	COLLAR, COUNTERSHAFT	23522-415-000	001
19	WASHER (25.2X34)	90446-430-000	001
20	WASHER (20X1.00)	90454-428-000	001
21	WASHER (27.5MM)	90455-MC7-000	002
22	WASHER C (25MM)	90459-357-000	001
23	WASHER A (20MM)	90461-MC7-000	001
23	WASHER B (20MM)	90462-MC7-000	001
23	WASHER C (20MM)	90463-MC7-000	001
23	WASHER D, THRUST	90464-MC7-000	001
23	WASHER E, THRUST	90465-MC7-000	001
24	WASHER A (25MM)	90466-MC7-000	001
24	WASHER B, THRUST	90467-MC7-000	001
24	WASHER C (25MM)	90468-MC7-000	001
24	WASHER D (25MM)	90469-MC7-000	001
24	WASHER E (25MM)	90471-MC7-000	001
25	CIRCLIP (25MM)	90601-300-000	003

26	BEARING (6205)	91010-MC7-003	001
26	BEARING, RADIAL BALL	91021-KV3-771	001
27	BEARING (20MM)	91022-415-008	001
28	BEARING (6305)	96100-63051-00	001
29	BEARING (6204U)	96140-62040-00	001

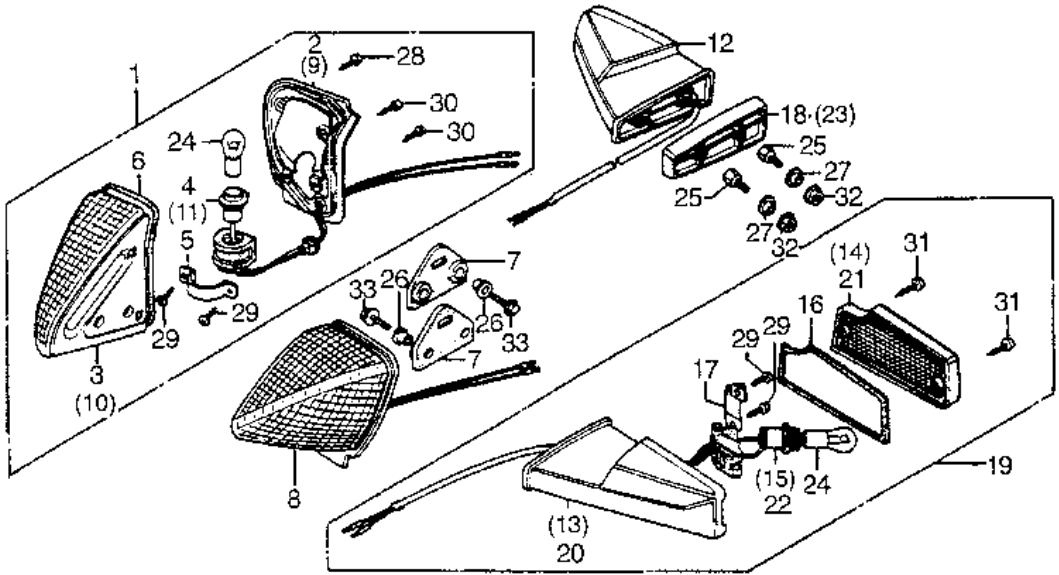
## Turbo Pump



REF#	PART		#REQ
01	PLATE	15529-MC7-000	001
02	HOLDER A	15531-MC7-000	001
03	HOLDER B	15533-MC7-000	001
04	PLATE, SET	15534-MC7-000	001
05	HOSE	15538-MC7-000	001
06	PROTECTOR	15539-MC7-000	001
07	JOINT A, OIL RETURN	15570-MC7-000	001
08	HOSE, OIL RETURN	15573-MC7-000	001
09	CLAMP	15576-MC7-000	002
10	MANIFOLD, EX.	18100-MC7-000	001
11	GASKET, EX. MANIFOLD	18139-MC7-000	002
11	GASKET, EX. MANIFOLD	18139-ME7-000	002
12	COVER, FR.	18141-MC7-000	001
13	COVER, RR.	18142-MC7-505	
	(replaces	18142-MC7-000)	001
14	COVER, L. FR.	18143-MC7-000	001
15	COVER, ENG (UPPER)	18144-ME7-000	
	(replaces	18144-MC7-000)	001
16	COVER, TURBOCHARGER	18145-ME7-000	
	(replaces	18145-MC7-000)	001
17	RUBBER A	18146-MC7-300	001
18	RUBBER B	18147-MC7-300	001
19	RUBBER C	18148-MC7-300	001
20	RUBBER D	18149-MC7-300	002
21	PLATE, SETTING	18151-MC7-000	001
22	COLR, SETTING PLATE	18155-MC7-000	001
23	GASKET, TURBOCHARGER	18191-ME7-000	
	(replaces	18191-MC7-000)	001
24	GSKT, EX. PIPE JOINT	18192-MC7-000	001
25	PUMP ASSY., TURBO	18200-MC7-305	
	(replaces	18200-MC7-003)	001
27	BOLT, FLANGE (5X8)	90002-MC7-000	021
29	BOLT, STUD (8X32)	90061-MC7-300	007
30	BOLT, SPECIAL (8X26)	90063-MC7-003	001
31	BOLT, SPECIAL (8X15)	90064-MC7-003	002
32	NUT, SPECIAL (8MM)	90217-657-000	006

33	WASHER, SPRING (8MM)	90406-MC7-003	003
34	O-RING (15.8X2.5)	91301-MC7-003	
	(replaces	91301-MC7-004)	001
35	O-RING B (6.8X2.5)	91304-MC7-003	002
36	PIN C, DOWEL (4X6.5)	94303-04065	002
37	CLIP, TUBE (D8)	95002-40800-08	002
38	BOLT, FLANGE (6X10)	95701-06010-00	
	(replaces	95700-06010-00)	002
39	BOLT, FLANGE (6X16)	95701-06016-00	
	(replaces	95700-06016-00)	004
40	BOLT, FLANGE (6X22)	95701-06022-00	
	(replaces	95700-06022-00)	001
41	BOLT, FLANGE (8X18)	95701-08018-00	
	(replaces	95700-08018-00)	001
42	BOLT, FLANGE (8X45)	95701-08045-00	
	(replaces	95700-08045-00)	002

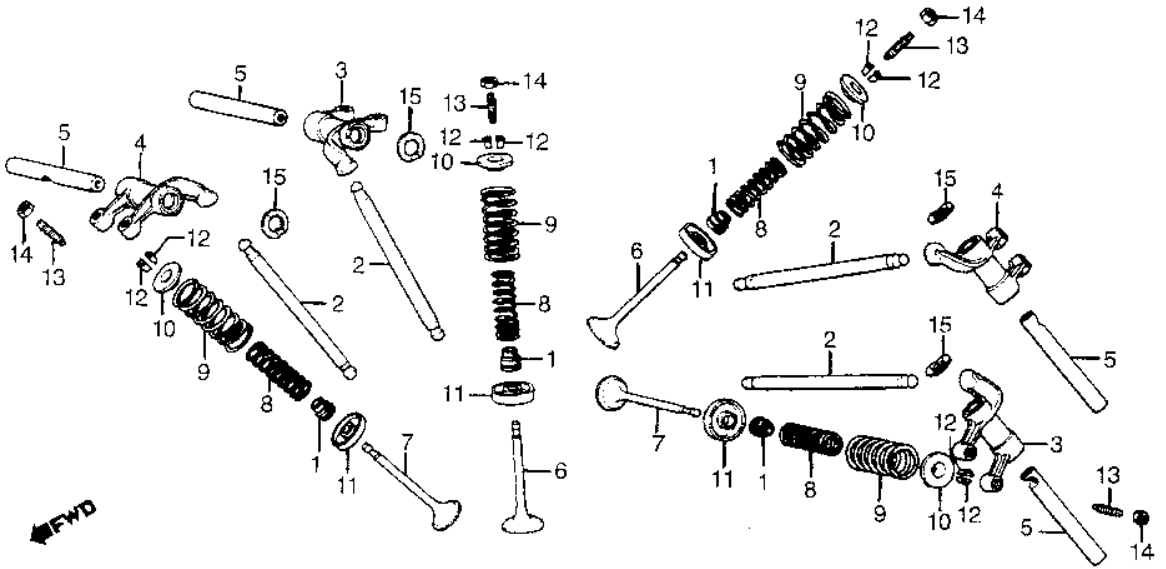
## Turn Signals



FWO

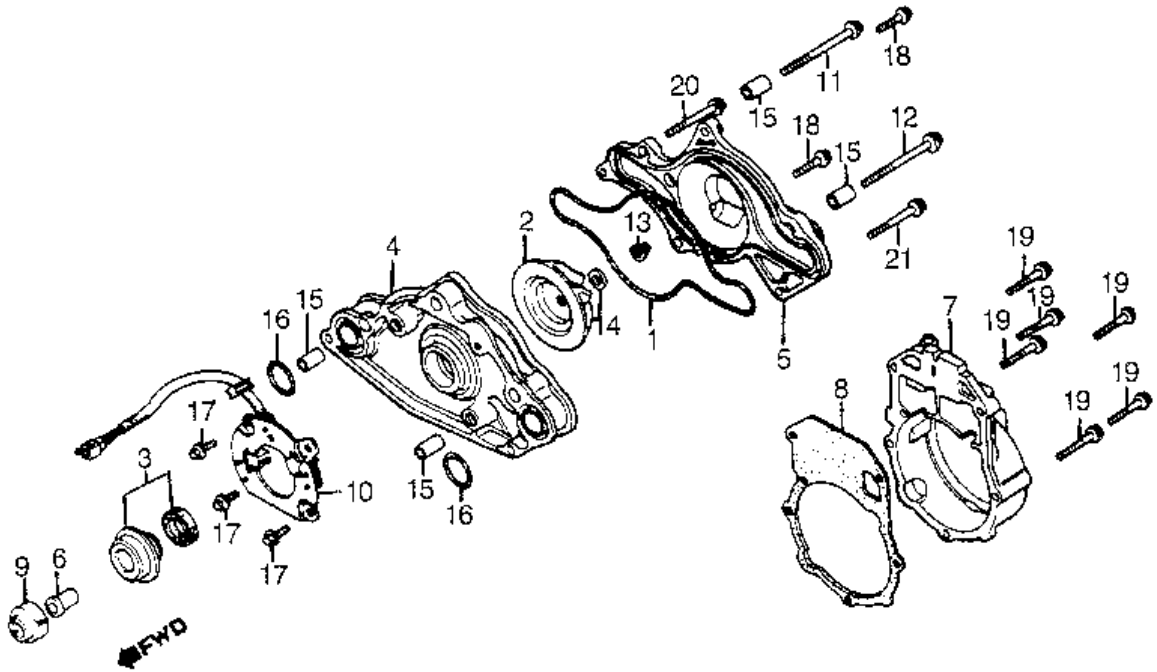
REF#	PART		#REQ
01	TURN SIGNAL, R. FR.	33400-MC7-671	001
02	BASE, R.	33401-MC7-611	001
03	LENS, R.	33402-MC7-671	001
04	CABLE, R.	33403-MC7-611	001
05	HOLDER, SOCKET	33404-MC7-611	002
06	GASKET, TURN SIGNAL	33405-MC7-611	002
07	RUBBER	33445-MC7-000	002
08	TURN SIGNAL, L. FR.	33450-MC7-671	001
09	BASE, L.	33451-MC7-611	001
10	LENS, L.	33452-MC7-671	001
11	CABLE, L.	33453-MC7-611	001
12	TURN SIGNAL, R. RR.	33600-MC7-671	001
13	BASE, R. TURN SIGNAL	33601-MC7-611	001
14	LENS, R. TURN SIGNAL	33602-MC7-671	001
15	SOCKET, R.	33603-MC7-671	001
16	GASKET, TURN SIGNAL	33604-MC7-611	002
17	HOLDER, SOCKET	33605-MC7-601	002
	(replaces 33605-MC7-611)		
18	SPACER, R. RR.	33611-MC7-670	001
19	TURN SIGNAL, L. RR.	33650-MC7-671	001
20	BASE, L. TURN SIGNAL	33651-MC7-611	001
21	LENS, L. TURN SIGNAL	33652-MC7-671	001
22	SOCKET, L.	33653-MC7-671	001
23	SPACER, L. RR.	33661-MC7-670	001
24	BULB (12V23W32CP)	34905-268-671	004
25	BOLT, RR.	90122-MC7-670	004
26	COLLAR (6.2X13)	90501-MA3-720	004
27	COLLAR	90522-170-700	004
28	SCREW, PAN (4X14)	93500-04014-0G	002
29	SCREW, TAP (4X12)	93901-34320	008
30	SCREW, TAP (4X16)	93901-34480	004
31	SCREW, TAP (4X25)	93901-34680	004
32	NUT, FLANGE (6MM)	94050-06000	004
33	BOLT, FLANGE (6X20)	95701-06020-00	004
	(replaces 95700-06020-00)		

## Valves & Upper Rocker Arms



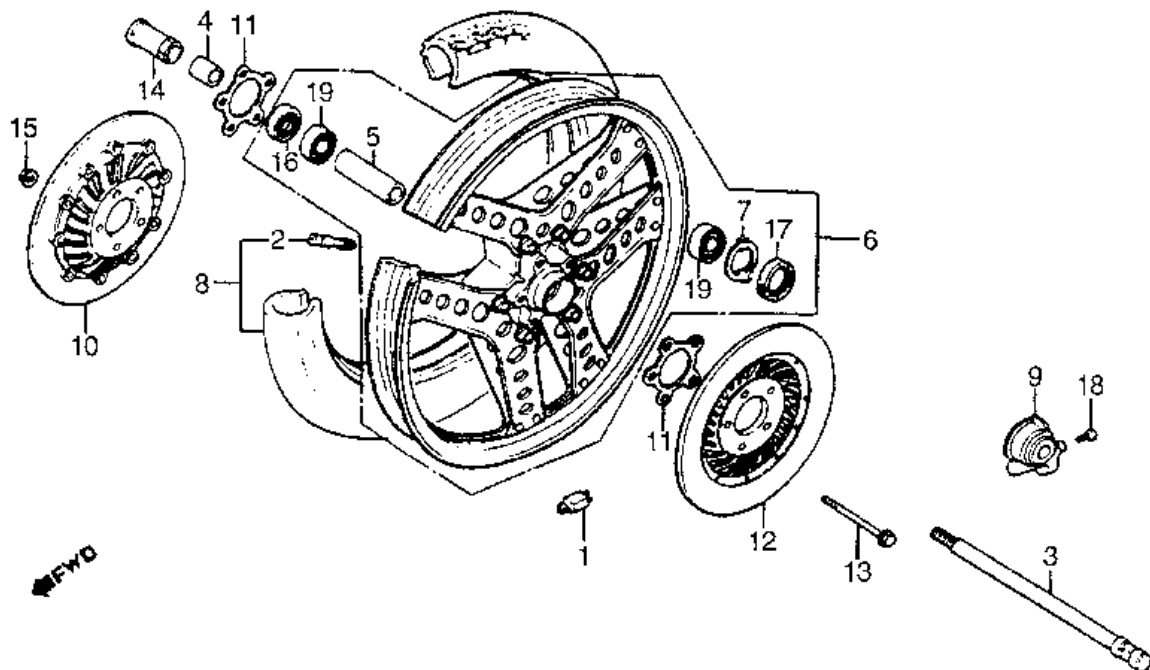
REF#	PART		#REQ
01	SEAL, VALVE STEM	12209-MB9-003	
		(replaces 12209-300-003)	008
02	ROD, PUSH	14410-415-000	004
03	ARM A, ROCKER	14420-ME7-000	
		(replaces 14420-MC7-000)	002
04	ARM B, ROCKER	14430-MC7-000	002
05	SHAFT, ROCKER ARM	14450-MG0-000	
		(replaces 14450-415-010)	004
06	VALVE, IN.	14711-415-000	004
07	VALVE, EX.	14721-MC7-000	004
08	SPRING, VALVE	14751-MC7-003	008
09	SPRING, VALVE	14761-415-005	008
10	RETAINER, VLV SPR	14771-551-020	008
11	SEAT, VALVE SPRING	14775-410-010	
		(replaces 14775-300-000)	008
12	COTTER, VALVE	14781-551-000	016
13	SCREW, TAPPET ADJ.	90012-415-000	008
14	NUT, TAPPET ADJ.	90206-250-000	
		(replaces 90205-300-000)	008
15	WASHER, WAVE (1.5MM)	90405-415-000	004

## Water Pump & Ignition Pulse Generator



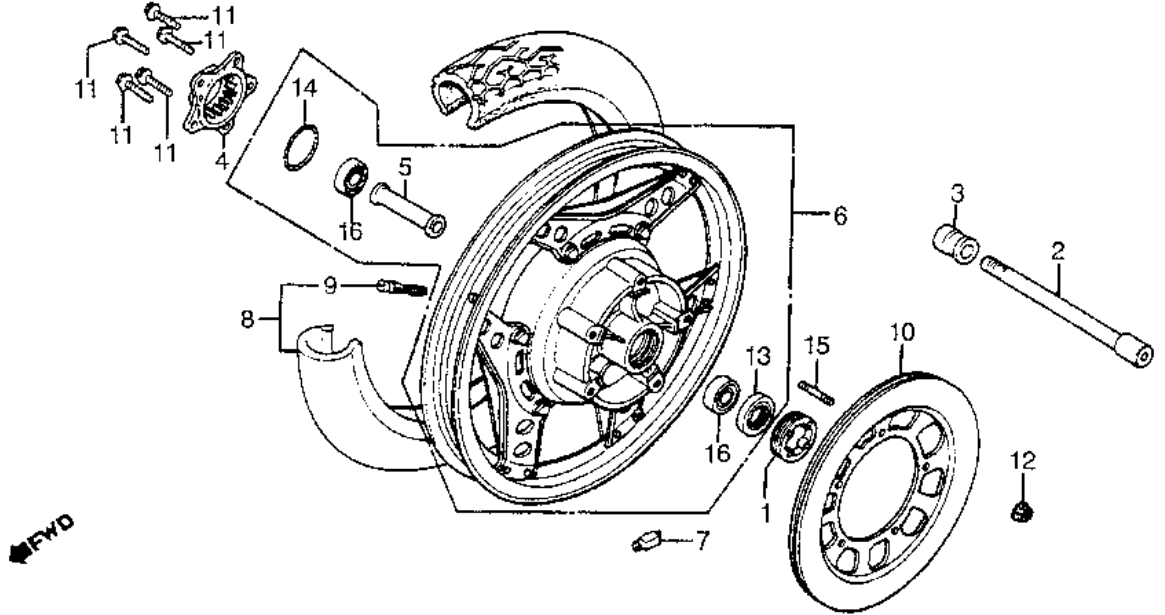
REF#	PART		#REQ
01	GASKET	11396-415-000	001
02	IMPELLER, WATER PUMP	19215-MC7-000	001
03	SEAL, MECHANICAL	19217-657-023	001
04	BODY, WATER PUMP	19221-MC7-000	001
05	COVER, WATER PUMP	19222-MC7-000	001
06	COLLAR, WATER PUMP	19233-MC7-000	001
07	COVER, PULSER	30372-MC7-010	
	(replaces	30372-MC7-000)	001
08	GASKET, PULSER COVER	30373-MC7-306	
	(replaces	30373-MC7-000)	001
09	ROTOR	36141-MC7-003	001
10	GENERATOR, PULSE	36142-MC7-003	001
11	BOLT, FLANGE (8X95)	90067-MC7-000	001
12	BOLT, FLANGE (8X115)	90069-MC7-000	001
13	NUT, CAP (6MM)	90201-415-000	001
13	NUT, FLANGE (6MM)	94050-06000	001
14	WASHER (6MM)	90441-706-000	001
15	PIN, DOWEL (10X16)	94301-10160	004
16	O-RING (23X2.8)	94608-50000	002
17	BOLT, FLANGE (6X14)	96001-06014-00	
	(replaces	96000-06014-00)	003
18	BOLT, FLANGE (6X22)	96001-06022-00	
	(replaces	96000-06022-00)	002
19	BOLT, FLANGE (6X25)	96000-06025-00	006
19	BOLT, FLANGE (6X25)	96001-06025-00	006
20	BOLT, FLANGE (6X60)	96001-06060-00	
	(replaces	96000-06060-00)	001
21	BOLT, FLANGE (6X80)	96001-06080-07	
	(replaces	96000-06080-00)	
	(replaces	96000-06080-07)	001

## Wheel, Front & Brake Discs



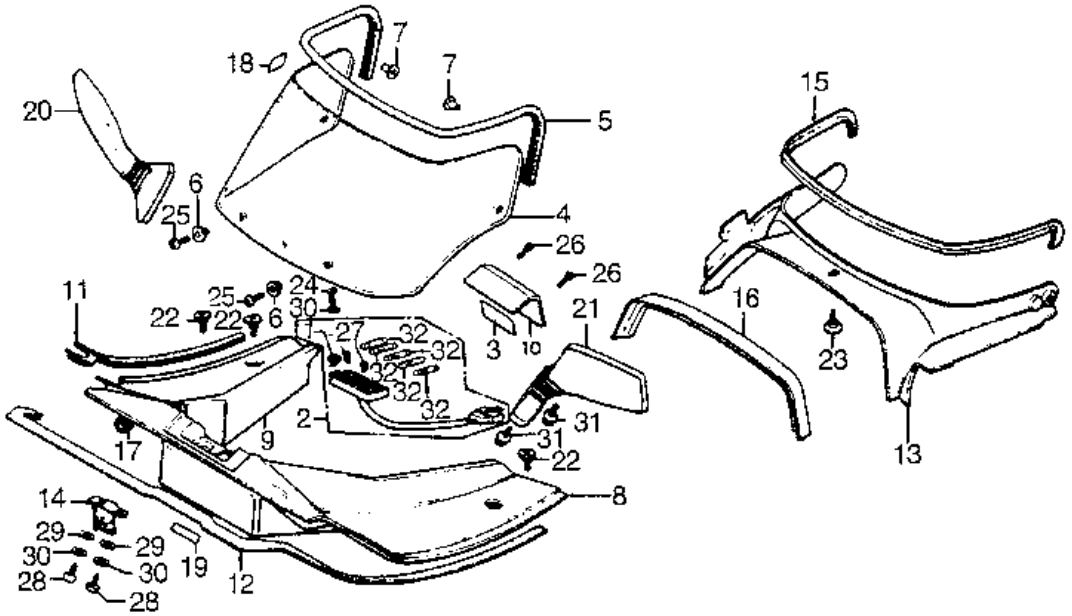
REF#	PART		#REQ
01	WEIGHT (10G)	42704-MC7-000	AR
01	WEIGHT (20G)	42705-MC7-000	AR
01	WEIGHT (30G)	42706-MC7-000	AR
02	VALVE, RIM	42753-425-003	
		(replaces 42753-425-004)	001
03	AXLE, FR. WHEEL	44301-MA4-670	001
04	COLR, FR. WHEEL SIDE	44311-461-770	001
05	COLLAR, FR.	44620-410-000	001
06	WHEEL, FR.	44650-MC7-305	001
07	RETAINER, GEAR BOX	44680-410-000	001
08	TIRE (3.50H18) (4PR)	44710-MC7-671	001
08	TIRE (3.50H18) (4PR)	44710-MC7-672	001
09	BOX ASSY.	44800-MC7-013	
		(replaces 44800-MC7-003)	001
10	DISK, R. FR.	45120-MC7-000	001
11	SHIM, DAMPING	45128-445-630	
		(replaces 45128-MC7-000)	002
12	DISK, L. FR.	45220-MC7-000	001
13	BOLT, FLANGE (8X104)	90103-438-000	005
14	NUT, AXLE (12MM)	90306-425-870	
		(replaces 90305-333-000)	001
15	NUT, FLANGE (8MM)	90309-428-731	005
16	DUST SEAL (22X42X7)	91252-MC7-003	001
17	DUST SEAL (40X50X5)	91258-410-013	001
18	SCREW, OVAL (5X20)	93700-05020-0G	001
19	BEARING (6302UU)	96150-63020-10	
		(replaces 96140-63020-10)	002

## Wheel, Rear



REF#	PART		#REQ
01	RETAINER, RR.	41231-430-000	001
02	AXLE, RR. WHEEL	42301-MC7-000	001
03	COLLAR, BRAKE SIDE	42311-MC7-000	001
04	FLANGE, FINAL DRIVEN	42610-415-000	001
05	COLLAR, RR.	42620-MC7-000	001
06	WHEEL, RR.	42650-MC7-305	001
07	WEIGHT (10G)	42704-MC7-000	AR
07	WEIGHT (20G)	42705-MC7-000	AR
07	WEIGHT (30G)	42706-MC7-000	AR
08	TIRE (120/90-17H)	42710-ME7-671	
	(replaces	42710-MC7-671)	001
08	TIRE (120/90-17)	42710-MC7-672	001
09	VALVE, RIM	42753-425-003	
	(replaces	42753-425-004)	001
10	DISK, RR. BRAKE	43121-MC5-000	
	(replaces	43121-MC7-000)	001
11	BOLT, UBS (10X34)	90130-MC7-000	005
12	NUT, U (6MM)	90301-473-003	005
13	OIL SEAL (28X42X7)	91257-230-003	
	(replaces	91257-230-000)	
	(replaces	91257-230-005)	001
14	O-RING (54X2.4)	91302-KF0-003	
	(replaces	91357-415-003)	001
15	BOLT, STUD (6X35)	92712-06035-0E	005
16	BEARING (6303U)	96140-63030-10	
	(replaces	96140-63030)	
	(replaces	96140-63030-00)	002

## Windscreen



REF#	PART		#REQ
01	COLR, LEVER SETTING	16572-879-010	001
02	PLATE ASSY., FUSE	38200-MC7-005	001
03	LABEL, FUSE	38215-MC7-610	001
04	WINDSCREEN	64100-MC7-000	001
05	MOUL SET	64105-MC7-505	
	(replaces	64105-MC7-000)	001
06	COLLAR, WINDSCREEN	64106-MC7-000	002
07	COLLAR	64107-MC7-000	002
08	PANEL A (INNER)	64221-MC7-000	001
09	PANEL B (INNER)	64222-MC7-000	001
10	COVER, FUSE BOX	64223-MC7-000	001
11	RUBBER A, FR.	64224-MC7-000	001
12	RUBBER B, FR.	64226-MC7-000	001
13	VISOR, METER	64240-MC7-000	001
14	BRKT, PANEL (INNER)	64519-MC7-000	001
15	RUBBER	64532-MC7-000	001
16	RUBBER, METER SEAL	64535-MC7-000	001
17	GROMMET B	66219-634-000	003
18	LABEL	87522-MA3-700	001
19	LABEL	87523-102-720	001
20	MIRROR ASSY., R.	88110-MC7-620	001
21	MIRROR, L. BACK	88120-ME7-621	
	(replaces	88120-MC7-620)	001
22	SCREW, PANEL SETTING	90110-MC7-000	004
23	SCREW	90123-MC7-000	001
24	SCREW, PAN (5X16)	93500-05016-0G	001
25	SCREW, PAN (6X12)	93500-06012-0A	002
26	SCREW, FLAT (4X12)	93600-04012-0G	002
27	SCREW, TAPPING (3X8)	93901-12120	002
28	SCREW, TAP (5X12)	93901-25280	002
29	WASHER, FLAT (5MM)	94101-05700	002
30	WASHER, SPRING (5MM)	94111-05700	003
31	BOLT, FLANGE (8X12)	95701-08012-00	
	(replaces	95700-08012-00)	002

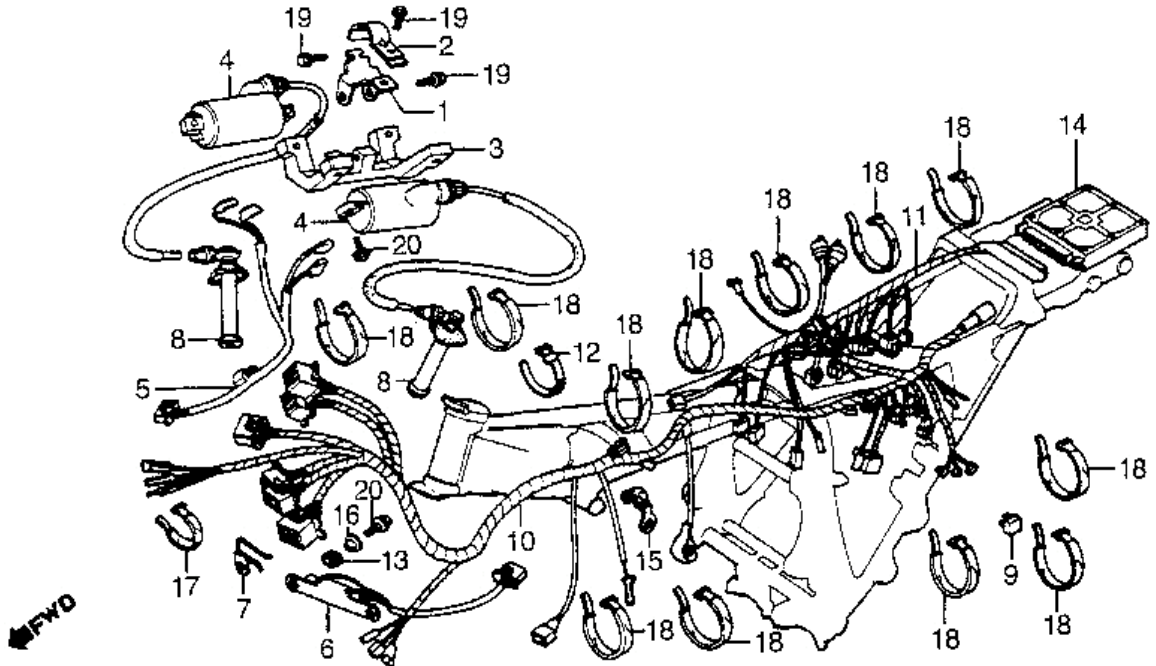
32

FUSE B (15A)

98200-21500

005

## Wire Harness & Ignition Coils



REF#	PART		#REQ
01	BRKT, IGNITION COIL	30403-MC7-000	001
02	BRACKET B	30404-MC7-000	001
03	STAY, IGNITION COIL	30405-MC7-000	001
04	COIL, IGNITION	30510-MC7-000	002
05	SUB-CABLE	30511-MC7-000	001
06	RESISTOR ASSY.	30512-MC7-003	001
07	GUIDE	30515-MC7-000	001
08	CAP ASSY., PLUG	30700-MC7-000	002
09	RECTIFIER, SILICON	31700-124-003	
	(replaces	31700-124-008)	001
10	WIRE HARNESS	32100-MC7-000	001
11	SUB-WIRE HARNESS	32101-MC7-000	001
12	BAND B1, CABLE	32161-404-610	001
13	RUBBER	34931-MC7-000	002
14	CONTROL UNIT ASSY.	38770-MC7-672RM	
	(replaces	38770-MC7-671)	
	(replaces	38770-MC7-672)	
	(replaces	38770-MC7-672)	001
15	CLIP, THROTTLE CABLE	50732-MC7-000	001
16	COLLAR, FR. FENDER	61104-428-000	002
16	COLLAR, RR. FENDER	61105-428-000	002
17	BAND B1, CABLE	32161-404-000	
	(replaces	95014-61100)	001
18	BAND A2, CABLE	95014-61200	012
19	BOLT, FLANGE (6X10)	95701-06010-00	
	(replaces	95700-06010-00)	003
20	BOLT, FLANGE (6X22)	95701-06022-00	
	(replaces	95700-06022-00)	006